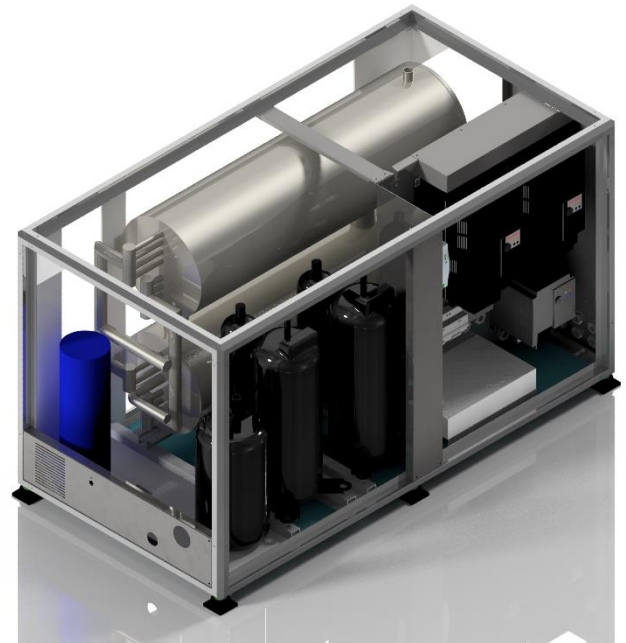


VRT120E2

DATASHEET



Cooling capacity KW	min 12	std 96	max 120
Cooling power source KW	min 3	std 20	max 30
Heating capacity KW	min 12	std 96	max 130
Heating power source KW	min 3	std 20	max 30

Total BTU Capacity:
Power supply:

Comparable to 500.000 BTU/h of the competitors.
380 - 440 Vac / 50-60 Hz 3ph (VRT120E2-4V)
700 Vdc (VRT120E2-7V) on request

Sea water pump:

Magnetic type. Centrifugal. 500lt/min 1,7kw included in unit power consumption.

Size W x D x H:

1556 x 720 x 830 mm

Weight:

209 Kg

Sea water working range:

+3°C to +40°C

Option polar water: -5°C

Air working range:

-20°C to +50°C

Noise:

Compressor @ 70% – 52db @ 1 meter from box

Vibration:

No significant vibration transmitted to the feet

Sea water pipes connection:

2"

Compressor box use VRV inverter architecture with refrigerant circulation inside air handler

Databus rs485 modbus on board

System based on Toshiba VFD and twin rotary compressor

VRT120E2 *MAIN FEATURES*



CONDENSER:

Titanium Grade 2. No fouling, no corrosion. 3 times lighter than copper nickel



COMPRESSOR:

Toshiba inverter twin rotary. COP > 4

Rotation speed: 600 to 6000 rpm



FRAME:

Aluminum silver anodized, Stainless Steel 316



SOFTWARE MANAGEMENT:

Compressor high temperature, low temperature, high pressure condenser, low pressure compressor, electronic pressure gas, electronic pressure liquid, Condensation control, Evaporation control



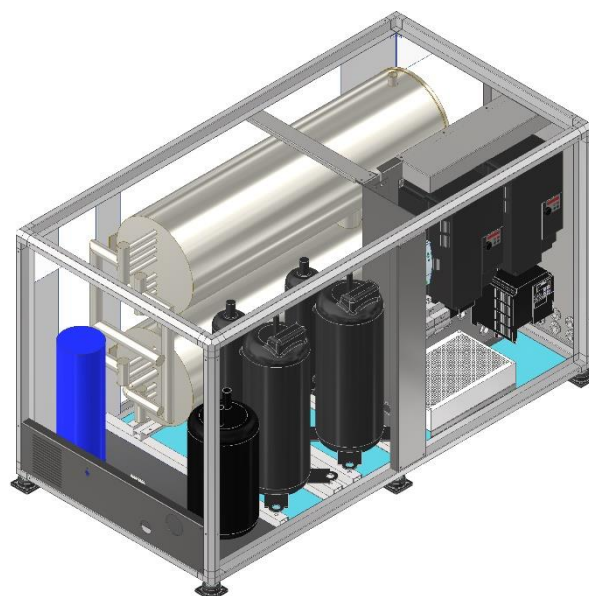
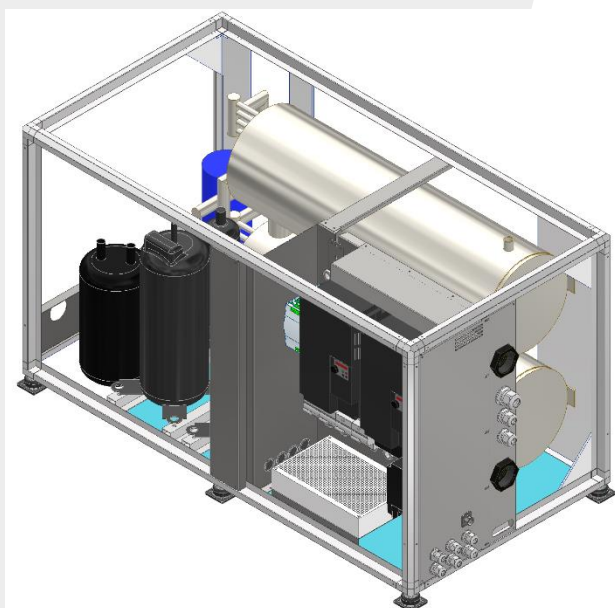
COMPRESSOR PROTECTION:

Over/undervoltage, overcurrent, torque, winding temperature, stepout (bad lubrication), power input, power output, efficiency, overload, oil level (with EEV)



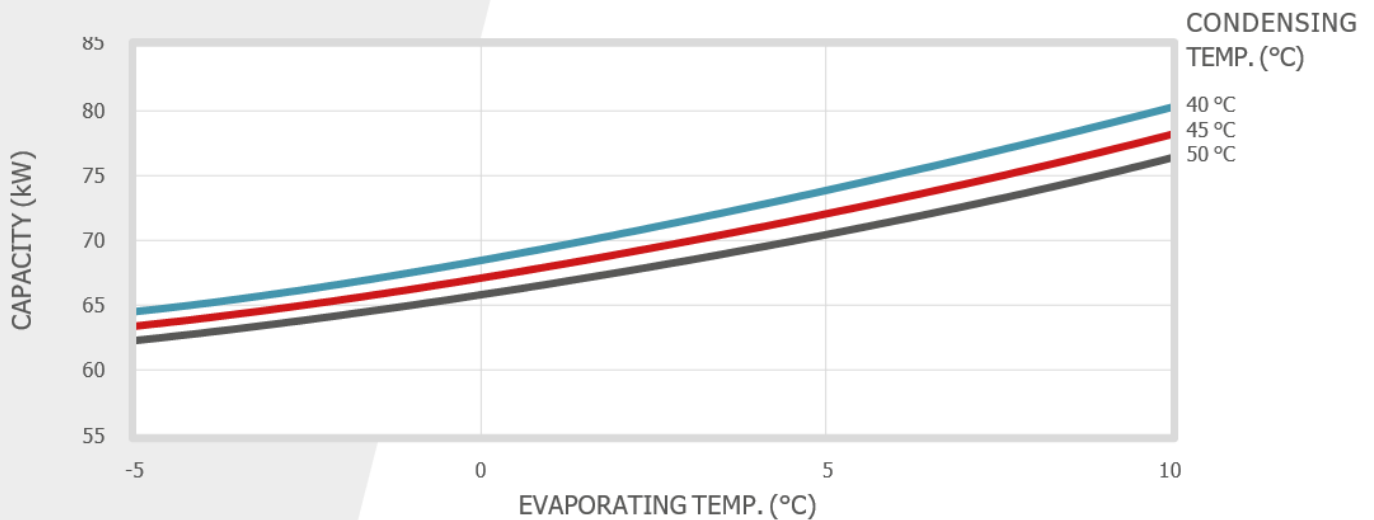
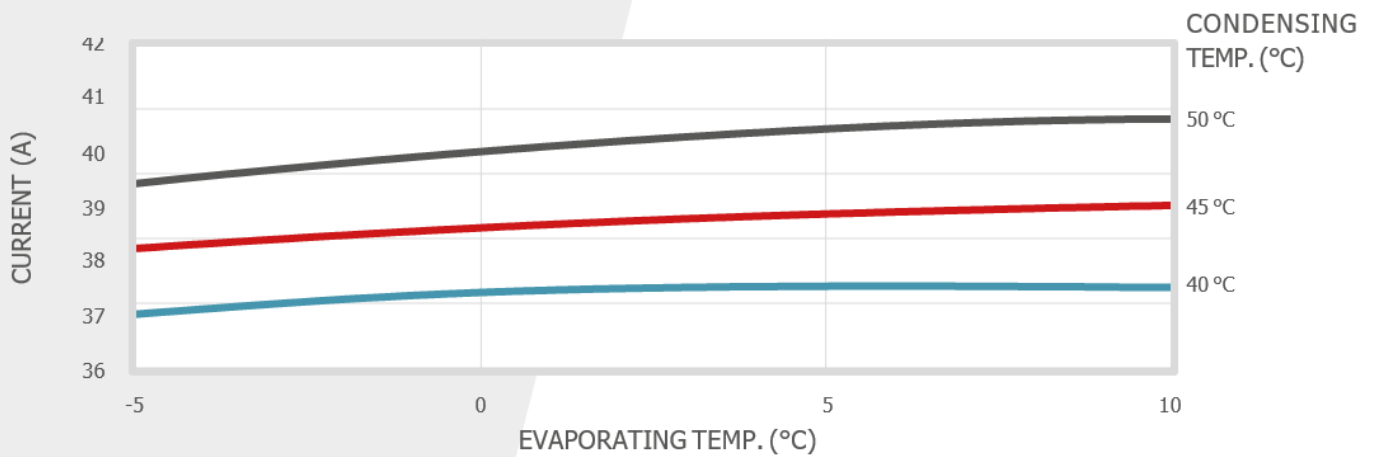
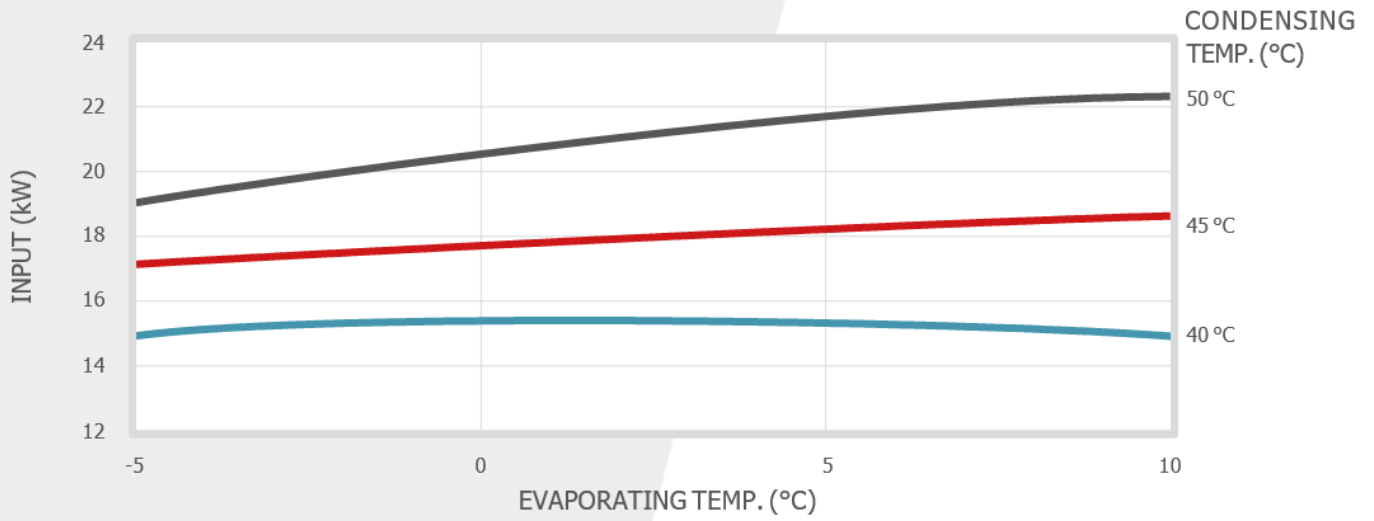
ELECTRONIC:

Microprocessor board with rs485 modbus rtu communication. Interface to Termodinamica air handling unit or fresh air unit



VRT120E2

PERFORMANCE CURVE DC INVERTER 70 rps/100

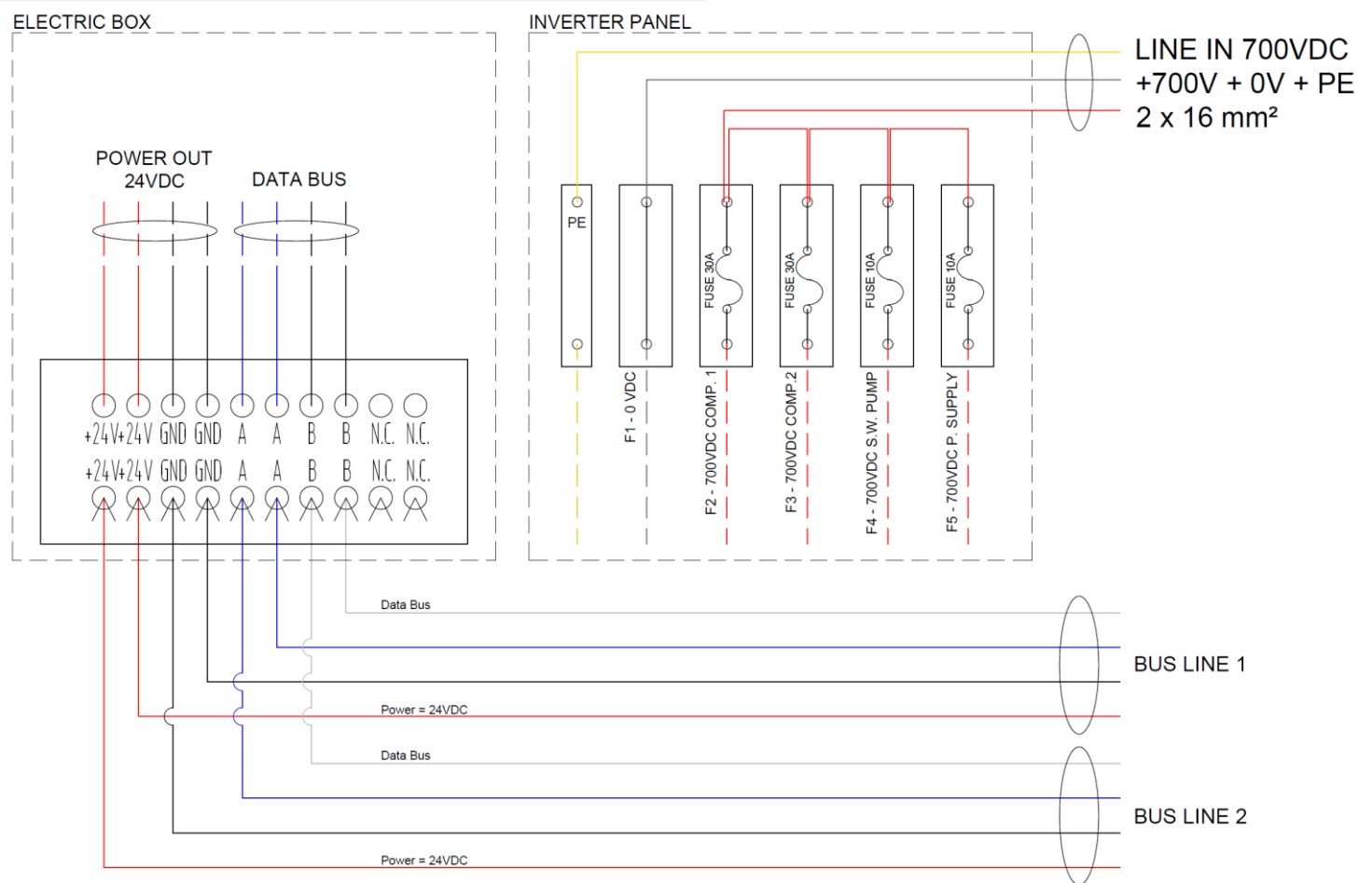


VRT120E2

ELECTRICAL CONNECTIONS



VRT120E2-4V – VRT120E2-7V ELECTRICAL CONNECTION



VRT120E2

OVERALL DIMENSIONS

