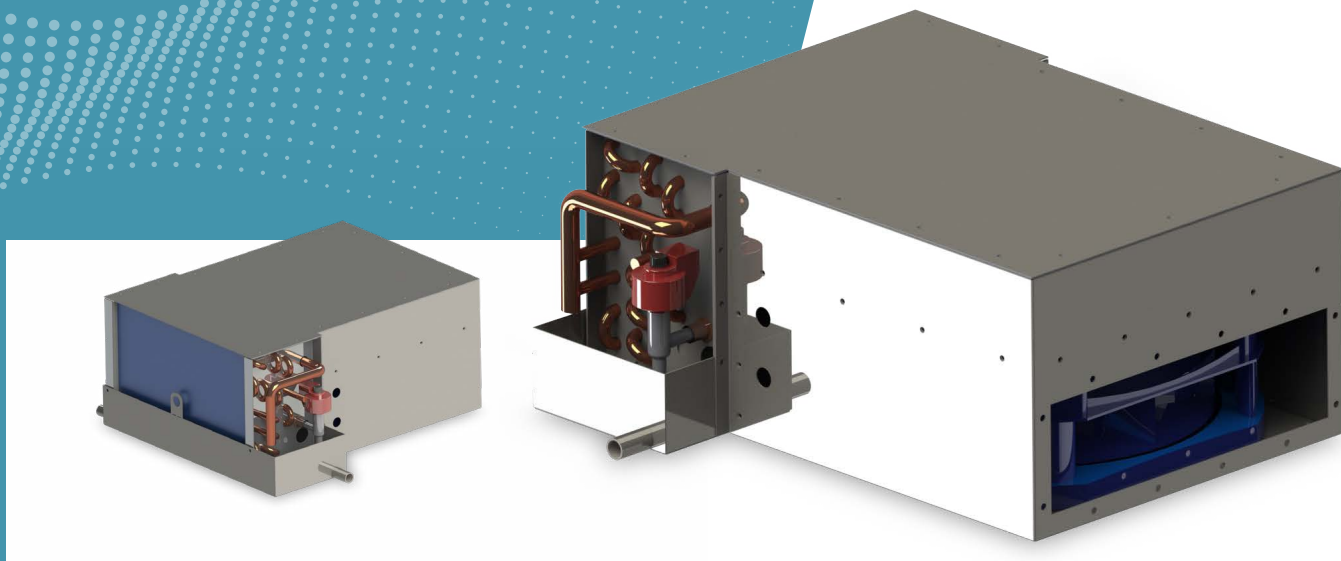


LP24 AIR HANDLER

DATASHEET



CAPACITY

Air flow m ³ / h	100	500	1000
Cooling Kw	1,0	4,0	7,0
Heating Kw	1,0	4,0	7,0

Static pressure:	600 Pa
Power supply:	230 Vac 50/60 Hz
Power consumption:	100 Watts
Control:	Data bus rs485 Modbus RTU
Size W x D x H:	446 x 440 x 210 mm
Weight:	9 Kg
Frame:	Stainless steel 316
Air working range:	-20°C to +50°C
Noise:	10 dB min - 40 dB max
Vibration:	No significant vibration
Air duct size mm:	1 x 125 or 2 x 125
Refrigerant pipe:	1/2" Gas 3/8" Liquid