

VRV10E1

DATASHEET



Cooling & heating - capacity

Cooling capacity KW	min 3	std 8	max 10
Cooling power source KW	min 0,5	std 1,5	max 3
Heating capacity KW	min 3	std 8	max 12
Heating power source KW	min 0,5	std 1,5	max 3

Power supply:	180 – 250 V 1Phase 50/60Hz		
Sea water pump:	Magnetic type 80 watt included in unit power consumption. 80 lt/min		
Size W x D x H:	517 x 460 x 440 mm		
Weight:	45 Kg		
Sea water working range:	+3°C to +40°C Option polar water: -5°C		
Air working range:	-20°C to +50°C		
Noise:	Compressor @ 140 hz – 40 db @ 1 meter from box		
Vibration:	No significant vibration transmitted to the feet		
Sea water pipe connection:	1"		
Refrigerant pipe:	1/2" Gas 3/8" Liquid		

Compressor box use VRV inverter architecture with refrigerant circulation inside air handler
Databus rs485 modbus on board

24Volt @ 400watt power supply 24VDC integrated in compressor unit for 5 air handlers management

System based on Toshiba VFD and twin rotary compressor



CONDENSER:

Titanium Grade 2. No fouling, no corrosion. 3 times lighter than copper nickel
Titanium is an everlasting material that assure to your system long reliability



COMPRESSOR:

Toshiba inverter twin rotary. COP > 4



FRAME:

Stainless Steel 316



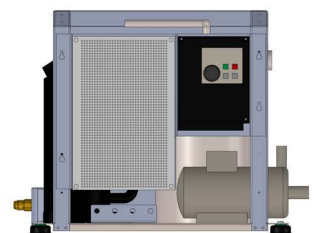
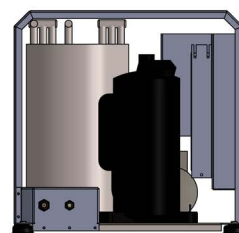
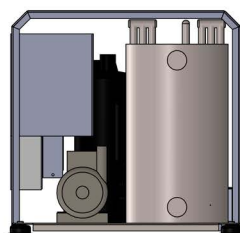
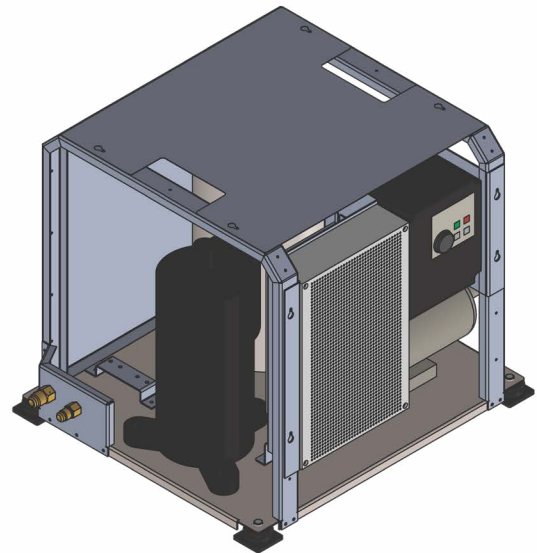
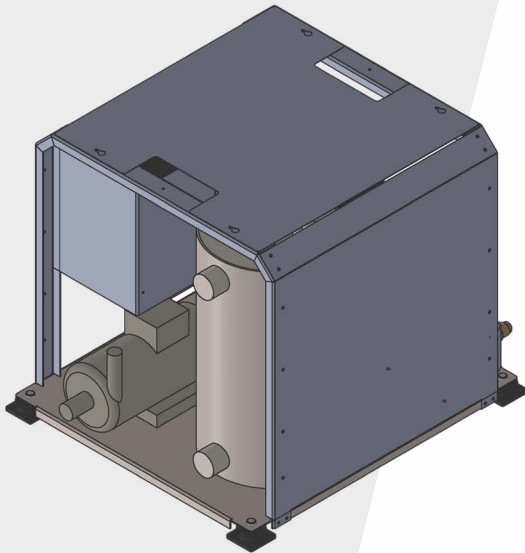
SOFTWARE MANAGEMENT:

Compressor high temperature, low temperature, high pressure condenser, low pressure compressor, electronic pressure gas, electronic pressure liquid, Condensation control, Evaporation control



COMPRESSOR PROTECTION:

Over/undervoltage, overcurrent, torque, winding temperature, stepout (bad lubrication), power input, power output, efficiency, overload, oil level (with EEV)



VRV10E1

PERFORMANCE CURVE
DC INVERTER 70 rps/100

