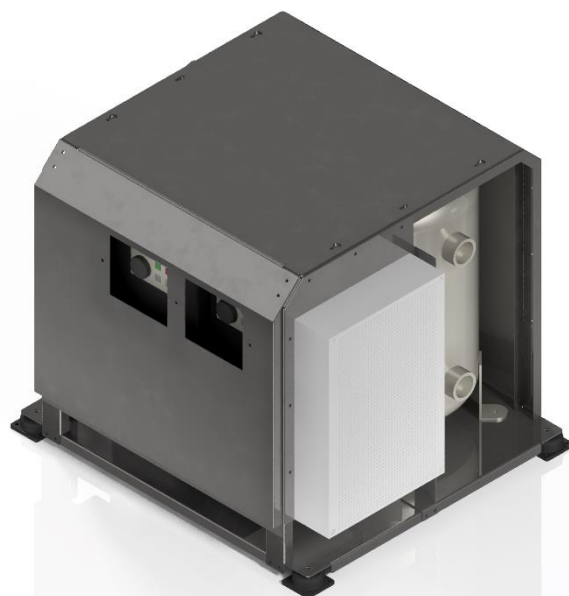


CI10E1

DATASHEET



Cooling capacity KW	min 3	std 8	max 10
Cooling power source KW	min 0,5	std 1,5	max 3
Heating capacity KW	min 3	std 8	max 12
Heating power source KW	min 0,5	std 1,5	max 3

Power supply:

Sea water pump:

Size W x D x H:

Weight:

Sea water working range:

Air working range:

Noise:

Vibration:

Sea water pipes connection:

Chilled water pipes:

180 - 250 Vac / 50-60

Magnetic type 80 watt included in unit power consumption.

100 lt/min

547 x 469 x 442 mm

50 Kg

+3°C to +40°C

-20°C to +50°C

Compressor @ 140 hz – 73db @ 1 meter from box

No significant vibration transmitted to the feet

1" BSP

3/4" BSP



CONDENSER:

Titanium Grade 2. No fouling, no corrosion. 3 times lighter than copper nickel
Titanium is an everlasting material that assure to your system long reliability



COMPRESSOR:

Toshiba inverter twin rotary. COP > 4



FRAME:

Stainless Steel 316



SOFTWARE MANAGEMENT:

Compressor high temperature, low temperature, high pressure
condenser, low pressure compressor, electronic pressure gas, electronic
pressure liquid, Condensation control, Evaporation control



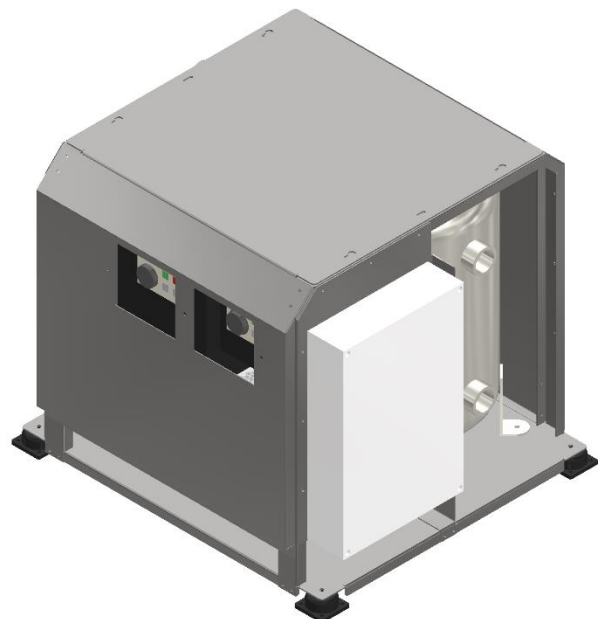
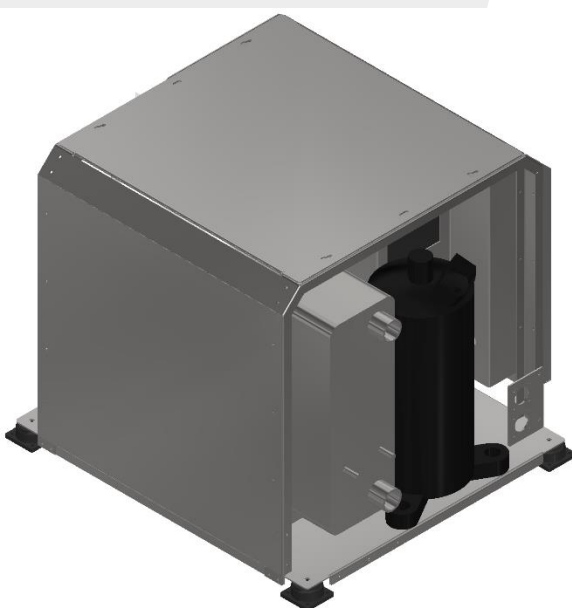
COMPRESSOR PROTECTION:

Over/undervoltage, overcurrent, torque, winding temperature, stepout (bad
lubrication), power input, power output, efficiency, overload, oil level (with EEV)



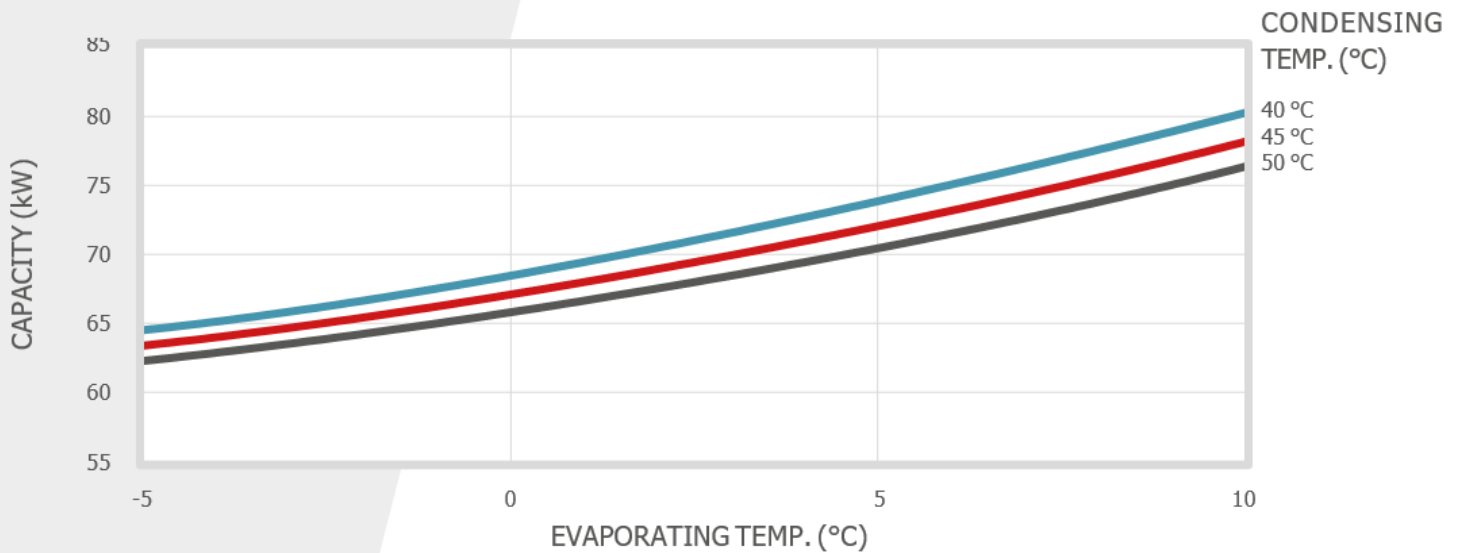
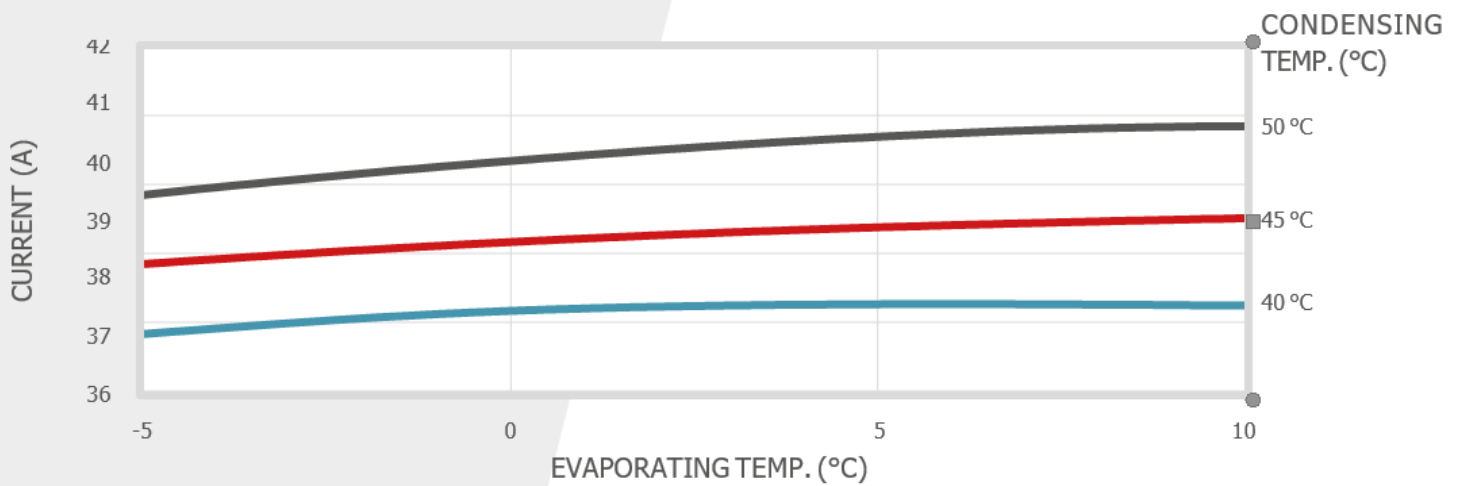
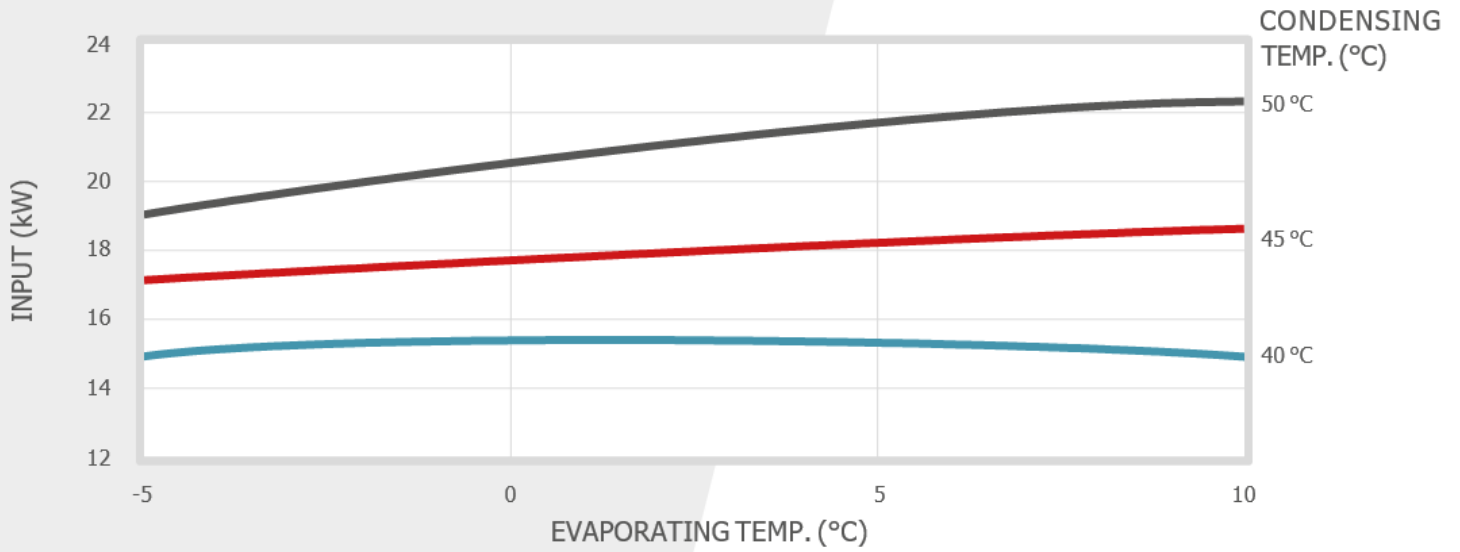
ELECTRONIC:

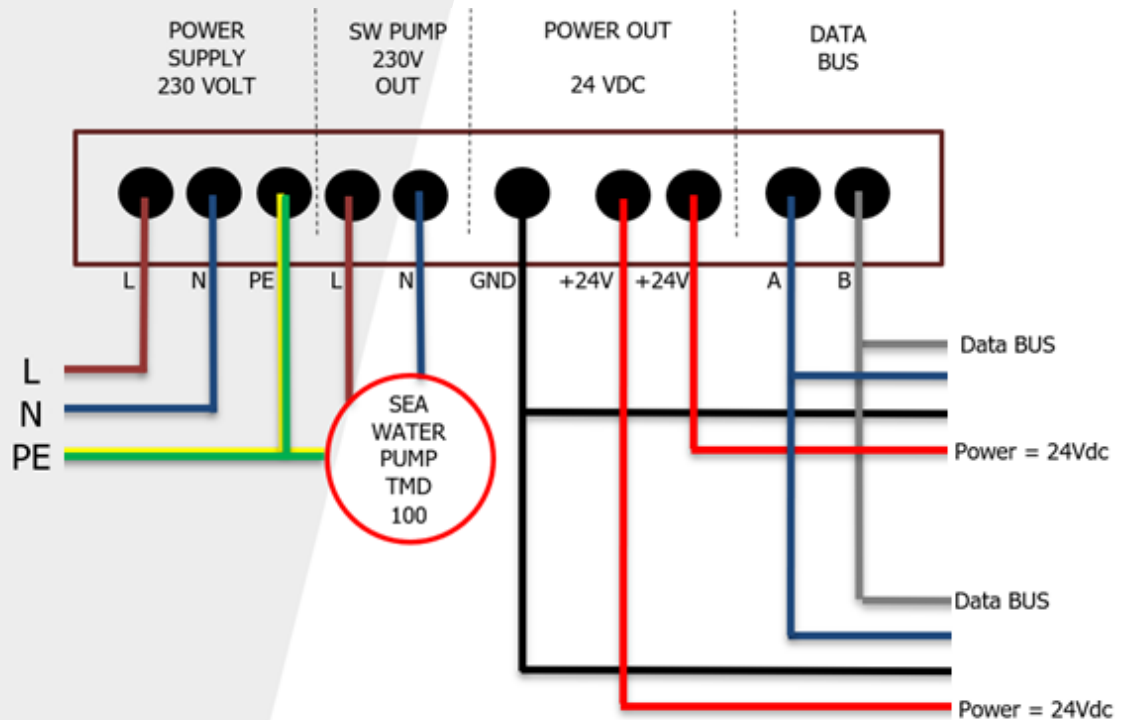
Microprocessor board with rs485 modbus rtu communication. Interface to
Termodinamica air handling unit or fresh air unit



CI10E1

PERFORMANCE CURVE DC INVERTER 70 rps/100





CI10E1

OVERALL DIMENSIONS

