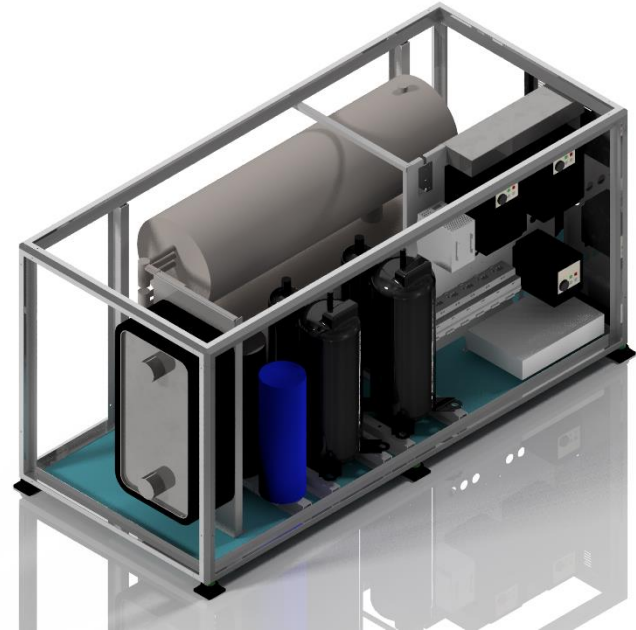


CI120E2

DATASHEET



Cooling capacity KW	min 12	std 96	max 120
Cooling power source KW	min 3	std 20	max 30
Heating capacity KW	min 12	std 96	max 130
Heating power source KW	min 3	std 20	max 30

Power supply:	380 - 440 Vac / 50-60 Hz 3ph 700 Vdc on request	
Sea water pump:	Magnetic type. Centrifugal. 500 lt/min 1,7kw included in compressor unit power	
Water pipe size:	2"	
Size W x D x H:	1579 x 720 x 780 mm	
Weight:	220 Kg	
Sea water working range:	+3°C to +40°C Option polar water: -5°C	
Air working range:	-20°C to +50°C	
Noise:	Compressor @ 70% – 52db @ 1 meter from box	
Vibration:	No vibration	

Compressor box use VRV inverter architecture with refrigerant circulation inside air handler

Databus rs485 modbus on board

System based on Toshiba VFD and twin rotary compressor



CONDENSER:

Titanium Grade 2. No fouling, no corrosion. 3 times lighter than copper nickel



COMPRESSOR:

Toshiba inverter twin rotary. COP > 4 Rotation speed: 600 to 6000 rpm



FRAME:

Aluminum silver anodized, Stainless Steel 316



SOFTWARE MANAGEMENT:

Compressor high temperature, low temperature, high pressure condenser, low pressure compressor, electronic pressure gas, electronic pressure liquid, Condensation control, Evaporation control



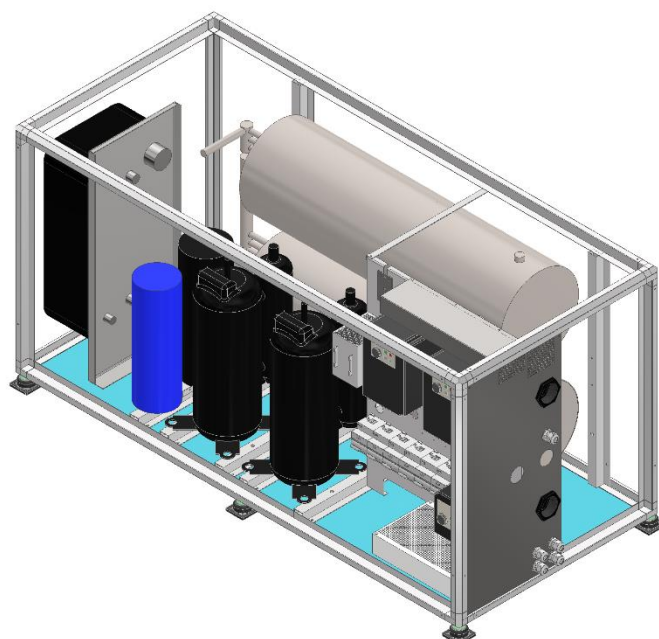
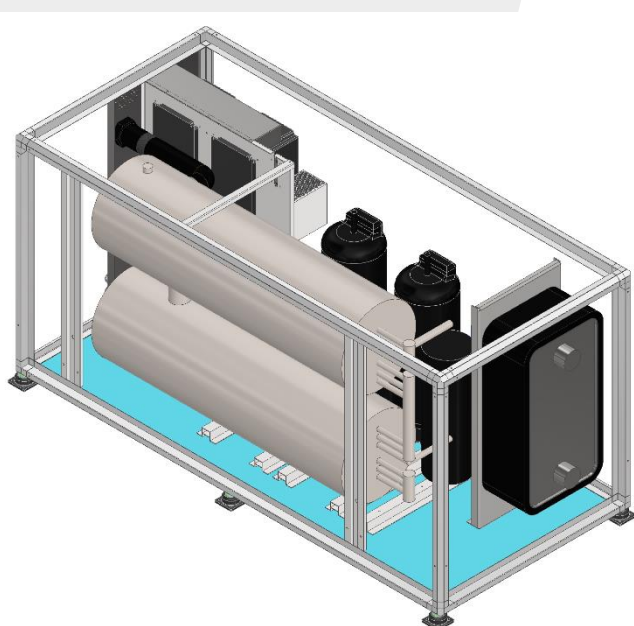
COMPRESSOR PROTECTION:

Over/undervoltage, overcurrent, torque, winding temperature, stepout (bad lubrication), power input, power output, efficiency, overload, oil level with infrared optical sensor



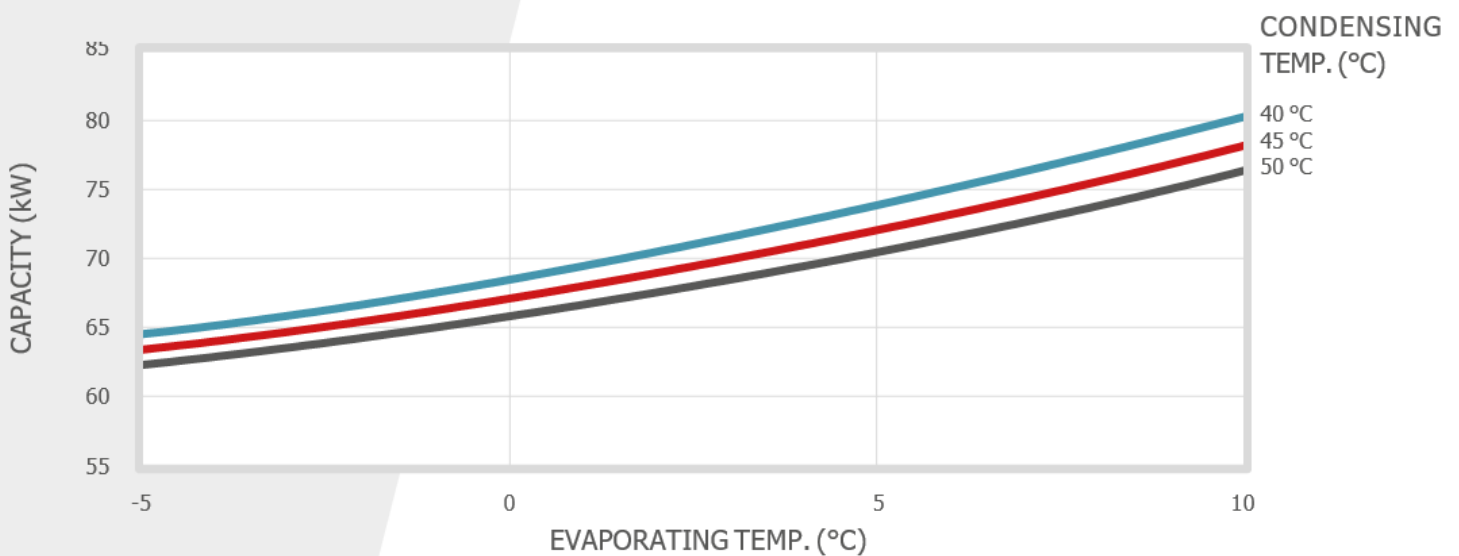
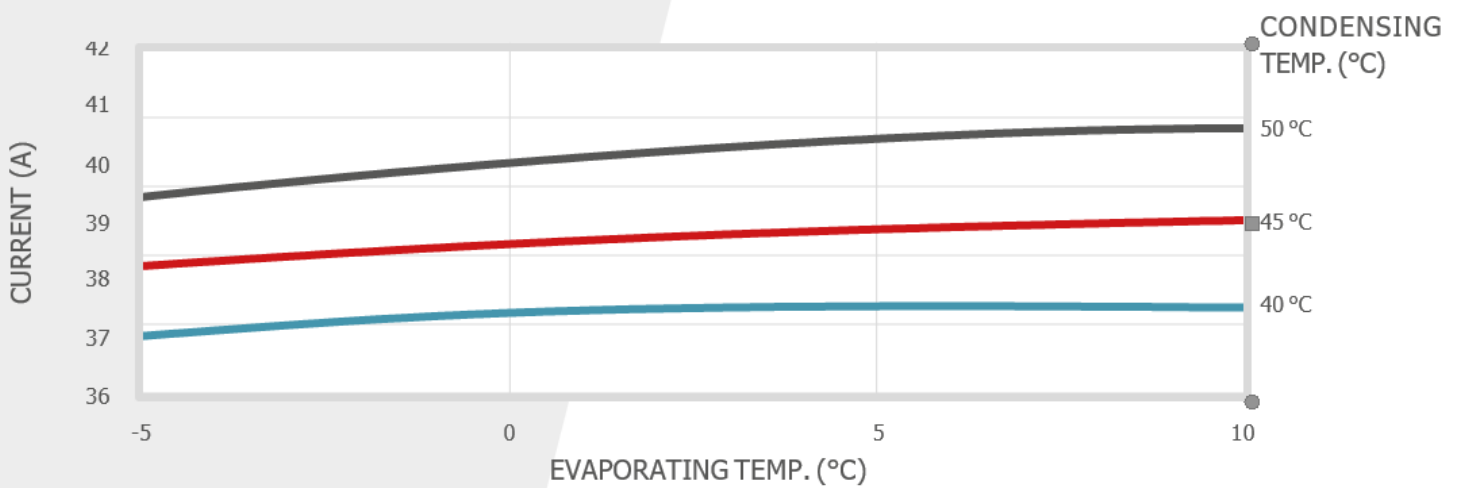
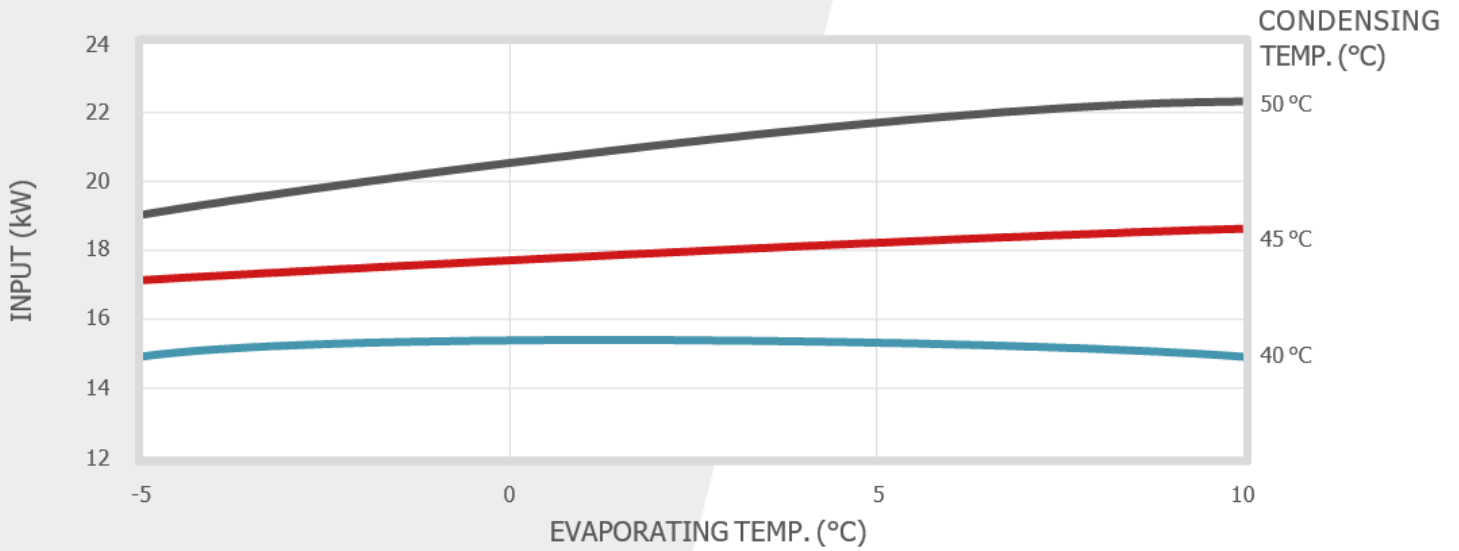
ELECTRONIC:

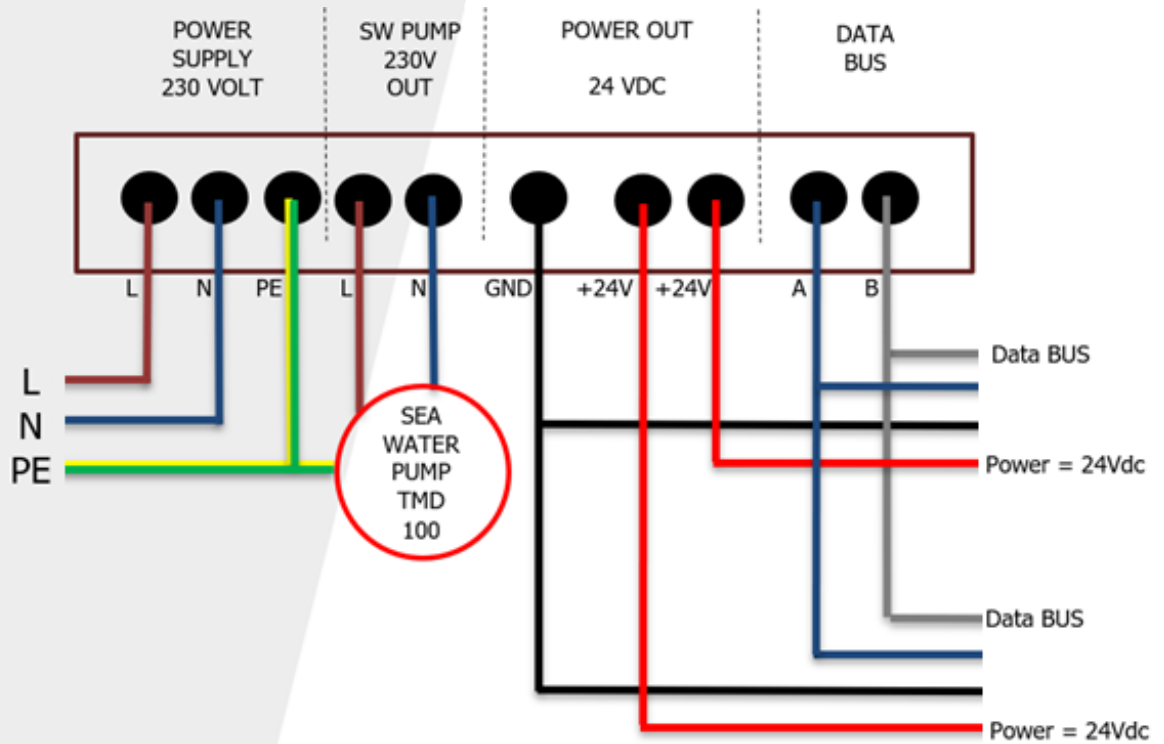
Microprocessor board with rs485 modbus rtu communication.
Interface to Termodinamica air handling unit or fresh air unit



CI120E2

PERFORMANCE CURVE DC INVERTER 70 rps/100





CI120E2

OVERALL DIMENSIONS

