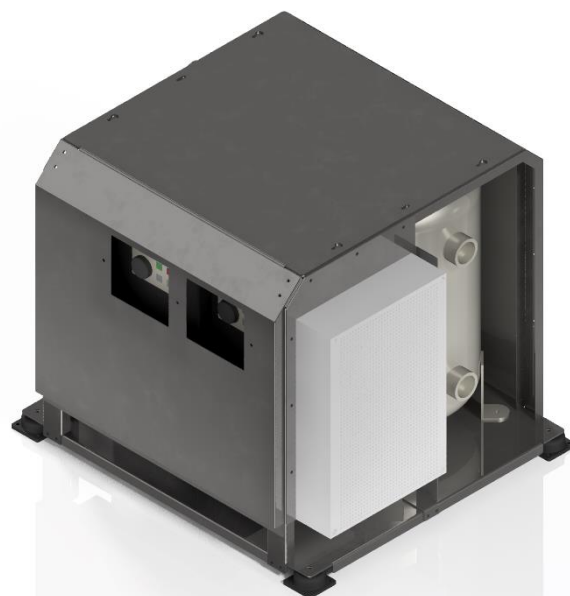


# CI16E1

## DATASHEET



Cooling capacity KW	min 3	std 10	max 16
Cooling power source KW	min 0,5	std 1,8	max 4
Heating capacity KW	min 3	std 10	max 18
Heating power source KW	min 0,5	std 1,8	max 4

**Power supply:**

**Sea water pump:**

**Size W x D x H:**

**Weight:**

**Sea water working range:**

**Air working range:**

**Noise:**

**Vibration:**

**Sea water pipes connection:**

**Chilled water pipes:**

180 - 250 Vac / 50-60

Magnetic type 80 watt included in unit power consumption.

100 lt/min

547 x 469 x 442 mm

50 Kg

+3°C to +40°C

-20°C to +50°C

Compressor @ 140 hz – 73db @ 1 meter from box

No significant vibration transmitted to the feet

1" BSP

3/4" BSP



### CONDENSER:

Titanium Grade 2. No fouling, no corrosion. 3 times lighter than copper nickel  
Titanium is an everlasting material that assure to your system long reliability



### COMPRESSOR:

Toshiba inverter twin rotary. COP > 4



### FRAME:

Stainless Steel 316



### SOFTWARE MANAGEMENT:

Compressor high temperature, low temperature, high pressure  
condenser, low pressure compressor, electronic pressure gas, electronic  
pressure liquid, Condensation control, Evaporation control



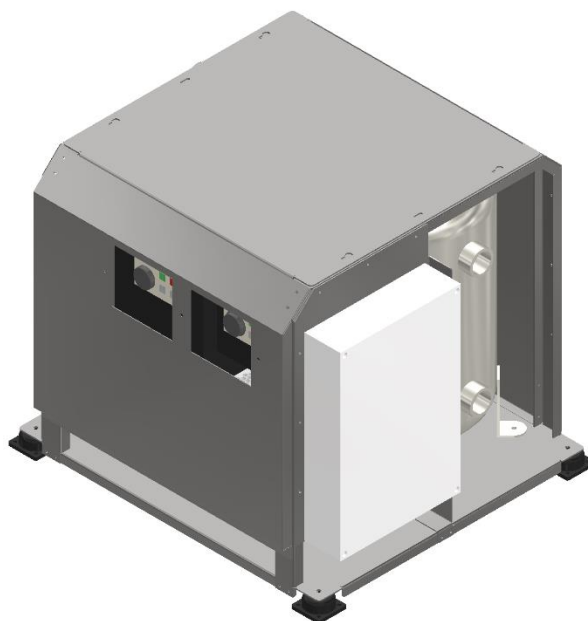
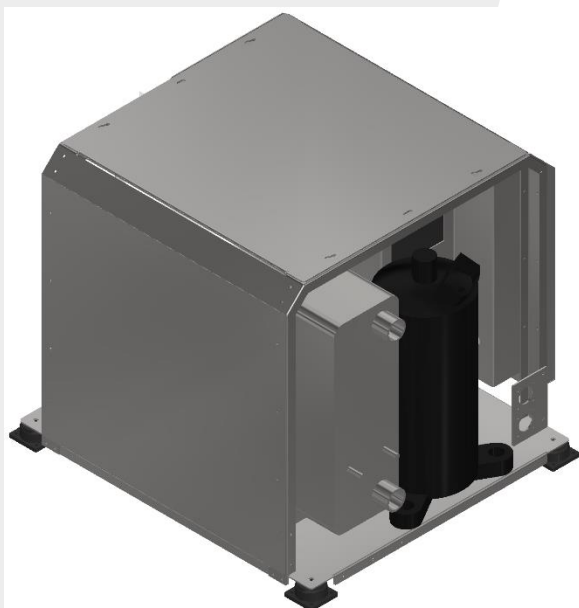
### COMPRESSOR PROTECTION:

Over/undervoltage, overcurrent, torque, winding temperature, stepout (bad  
lubrication), power input, power output, efficiency, overload, oil level (with EEV)



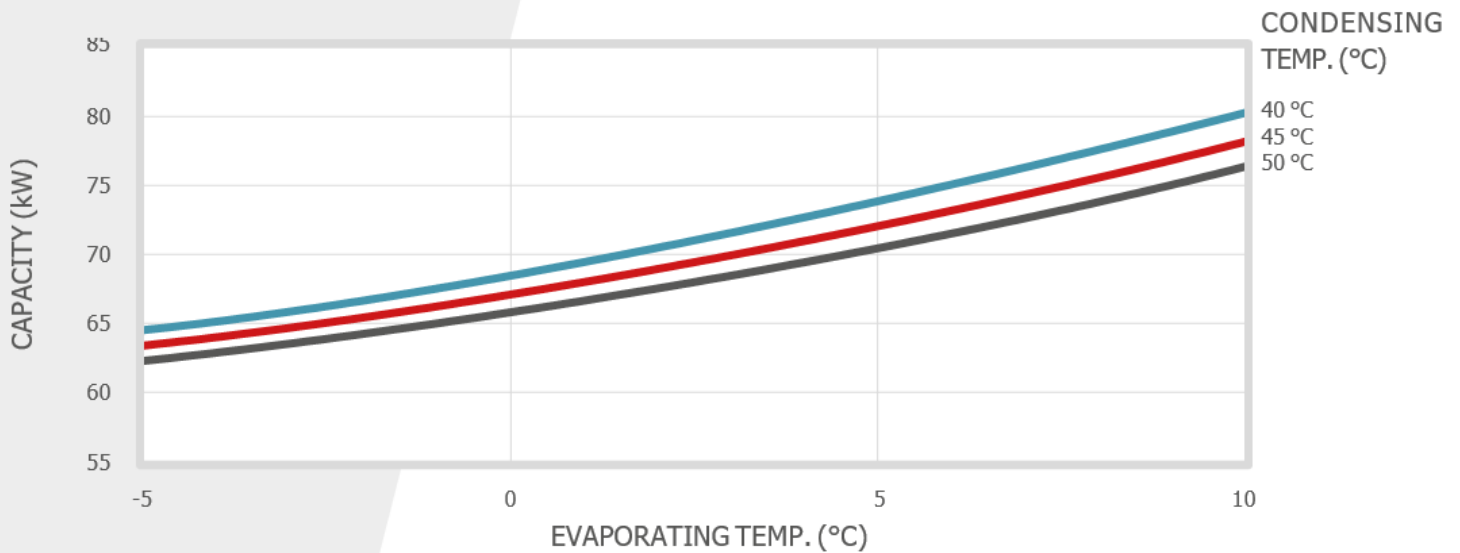
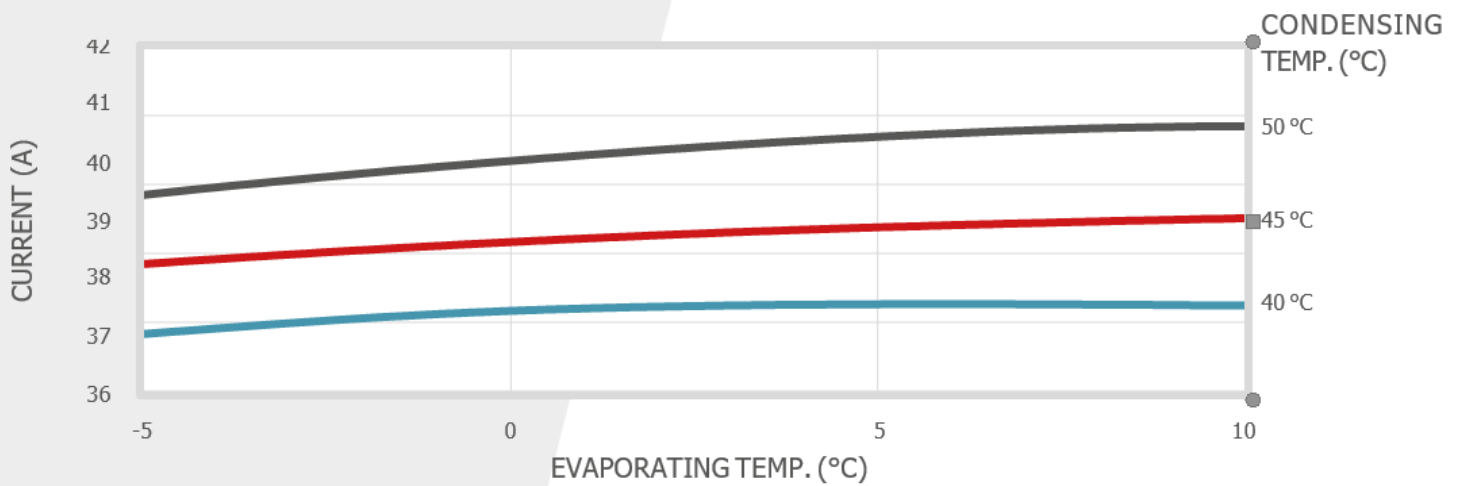
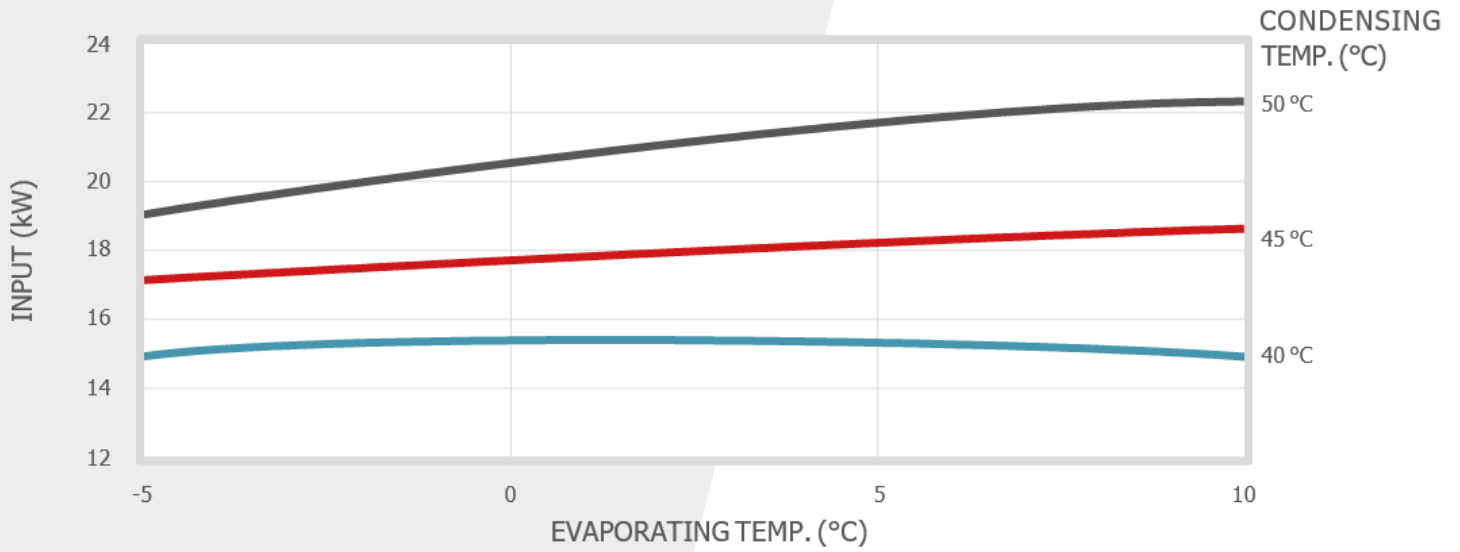
### ELECTRONIC:

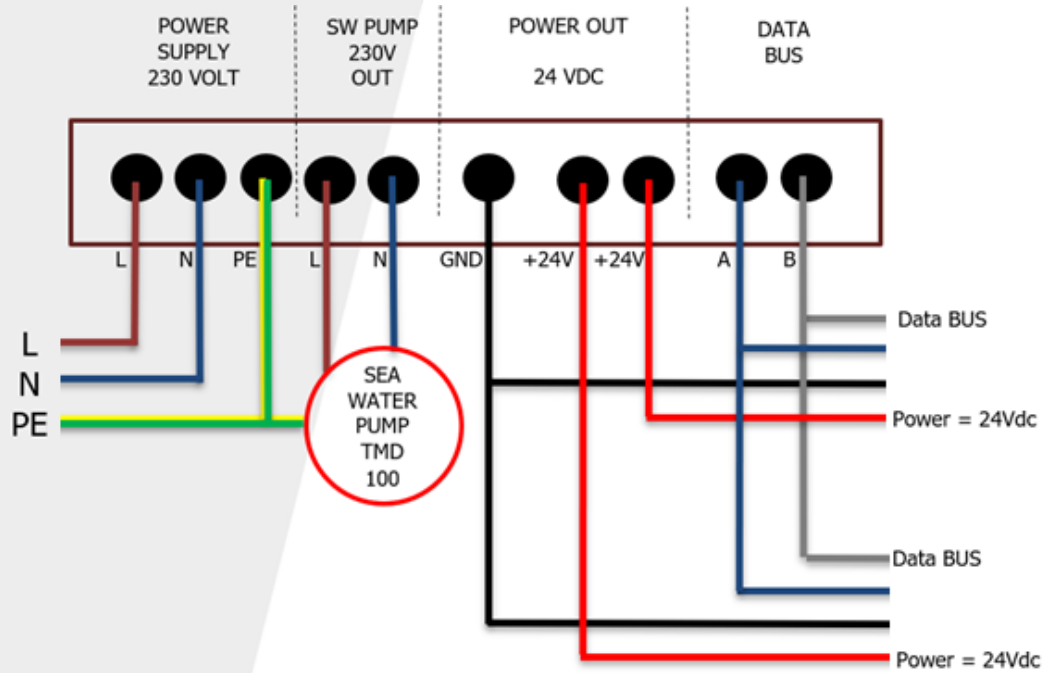
Microprocessor board with rs485 modbus rtu communication. Interface to  
Termodinamica air handling unit or fresh air unit



# CI16E1

## PERFORMANCE CURVE DC INVERTER 70 rps/100





# CI16E1

## OVERALL DIMENSIONS

