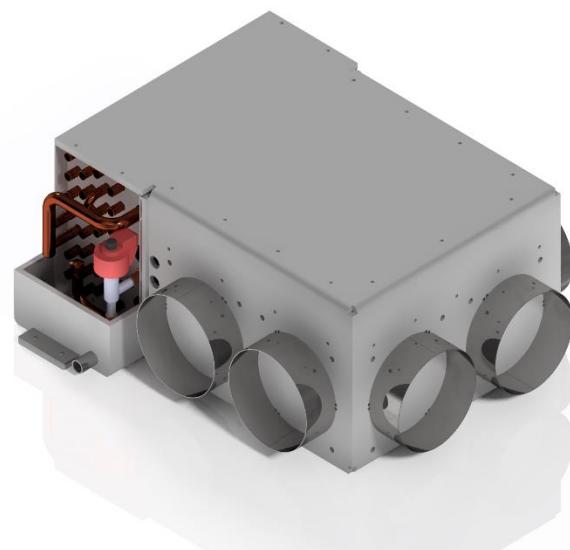


LP18 AIR HANDLER

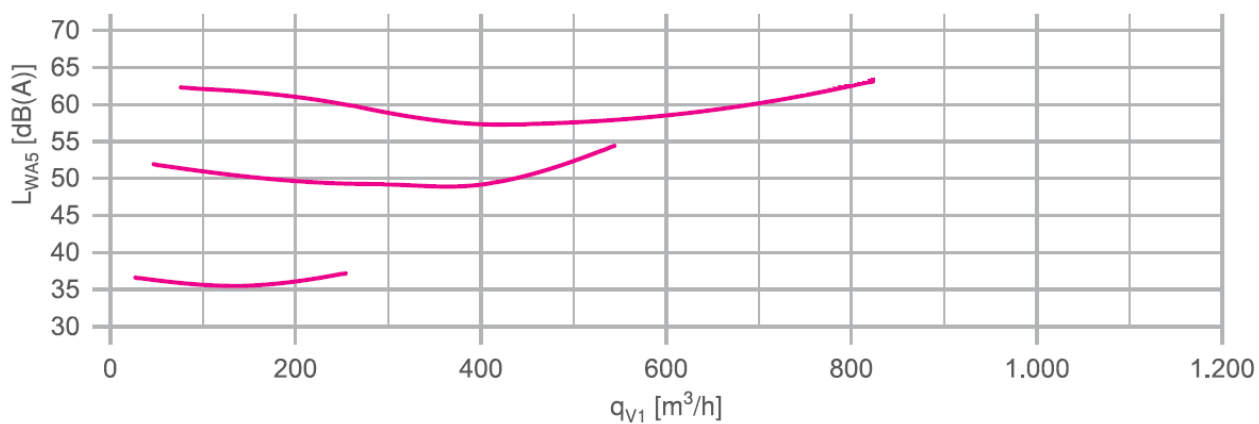
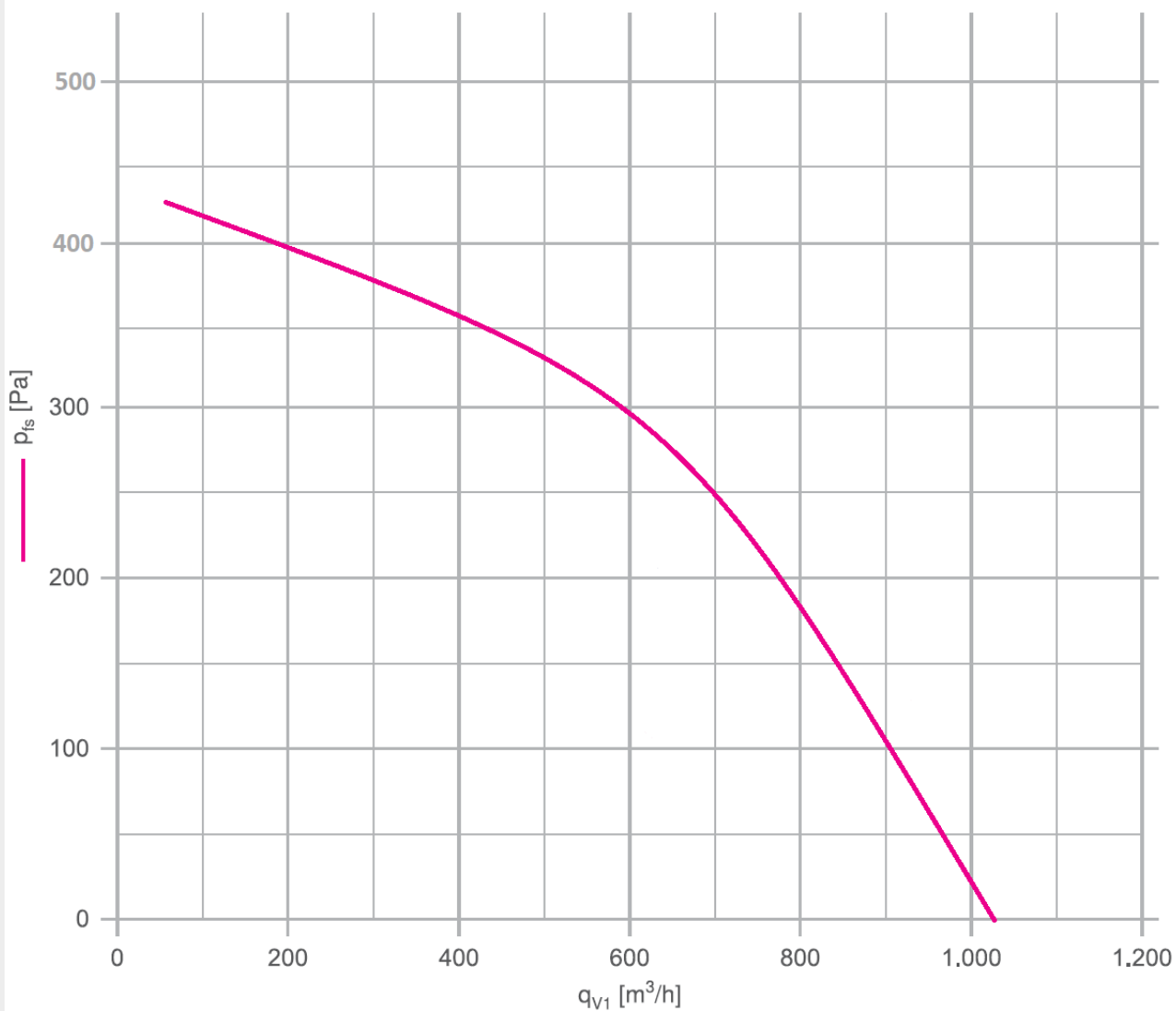
DATASHEET

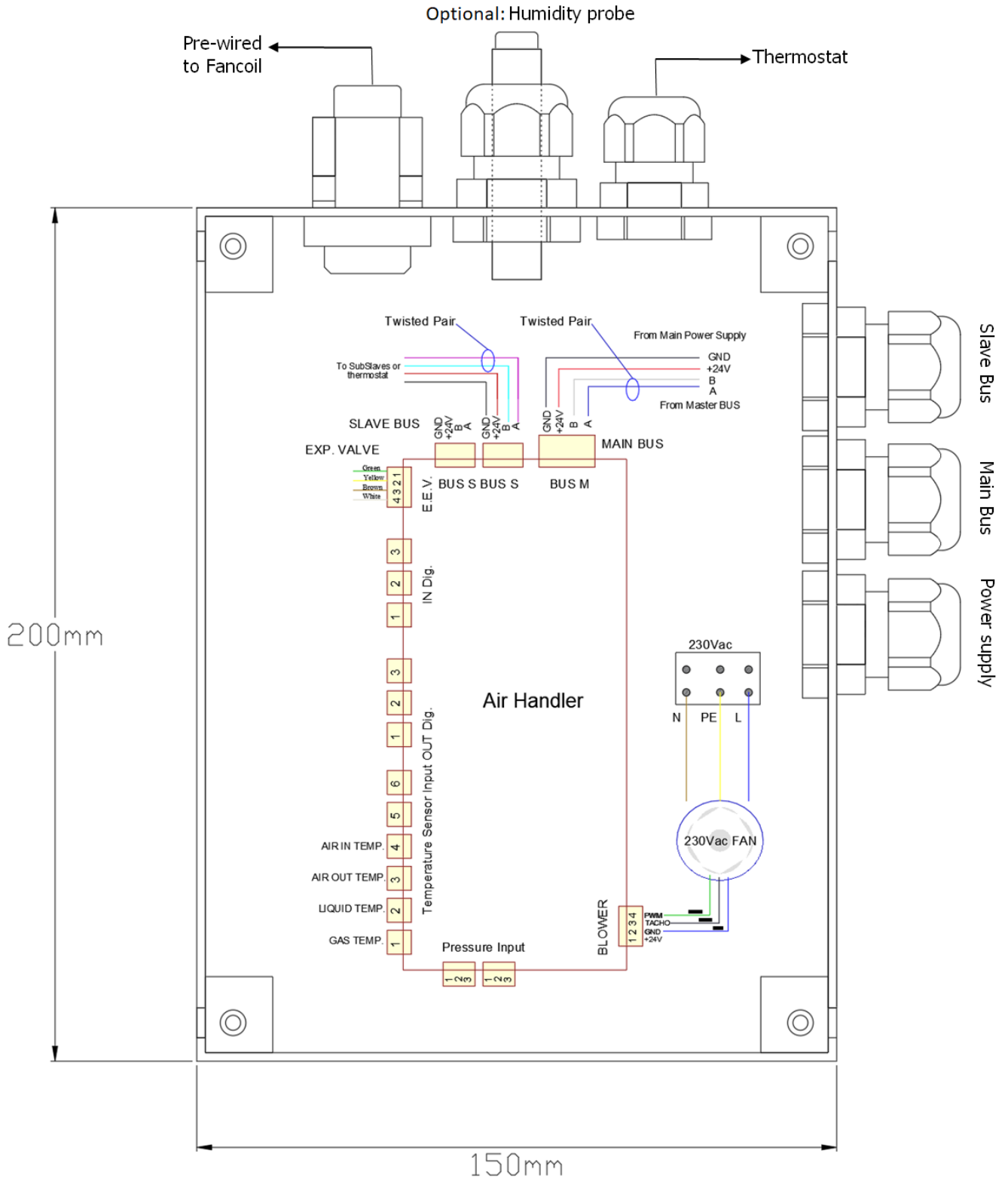


CAPACITY

Air flow m ³ / h	100	400	700
Cooling Kw	1,0	3,0	5,0
Heating Kw	1,0	3,0	5,0

Static pressure:	400 Pa
Power supply:	230 Vac 50/60 Hz
Power consumption:	80 W (typical) – 90 W (max)
Control:	Data bus rs485 Modbus RTU
Size W x D x H:	442 x 496 x 210 mm
Weight:	9 Kg
Frame:	Stainless steel 316
Air working range:	-20°C to +50°C
Noise:	10 dB (night mode) - 35 dB (max)
Vibration:	No significant vibration
Air duct size mm:	2 x 125
Refrigerant pipe:	1/2" Gas 3/8" Liquid





LP18

OVERALL DIMENSIONS

