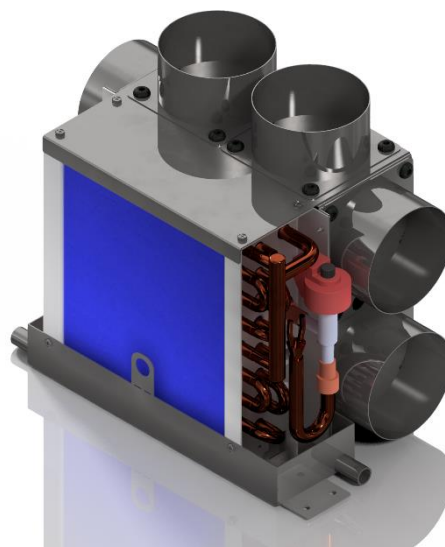


MR MAXI12 AIR HANDLER

DATASHEET



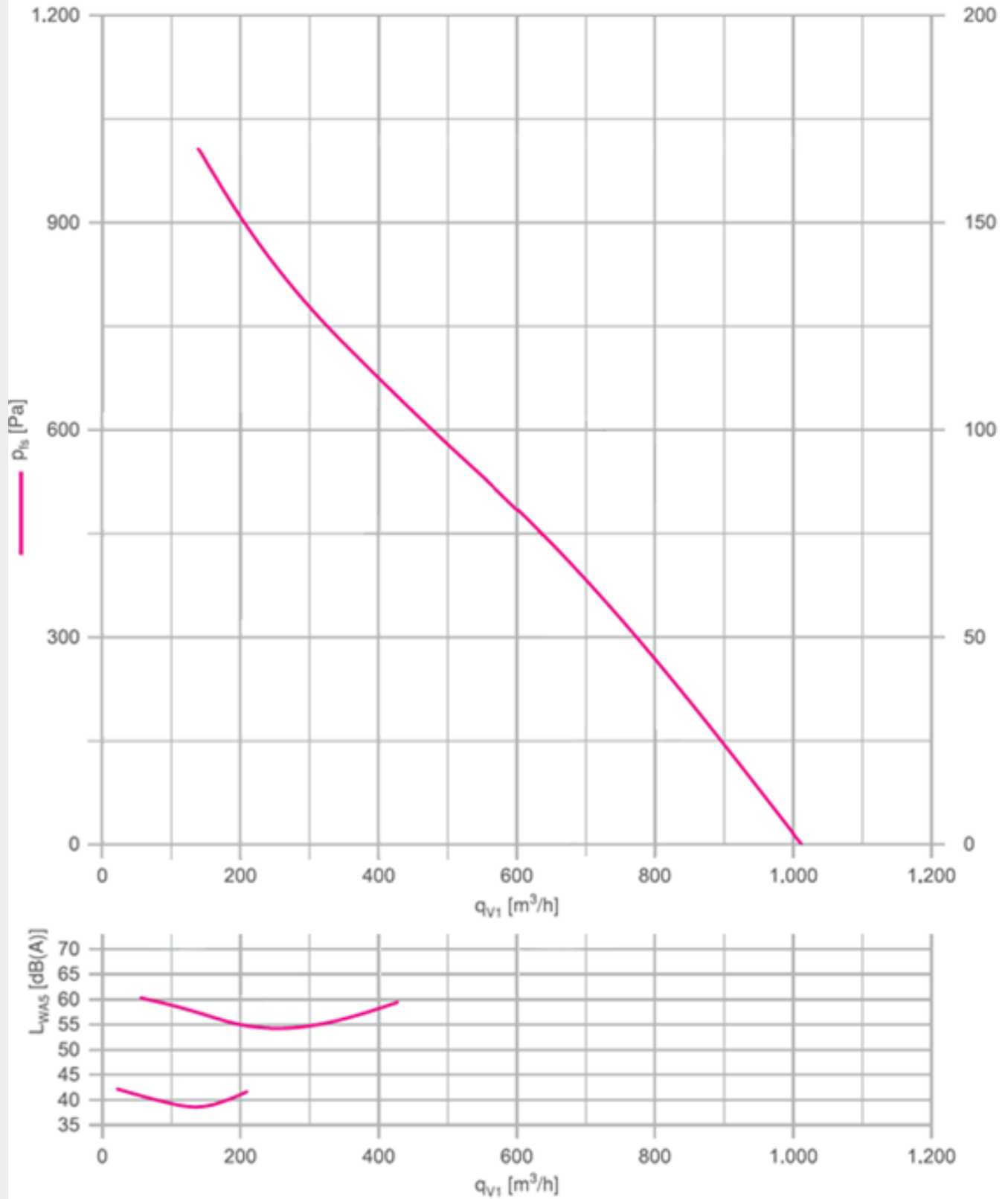
CAPACITY

Air flow m ³ / h	100	350	500
Cooling Kw	1,0	2,0	4,0
Heating Kw	1,0	2,0	4,0

Static pressure:	900 Pa
Power supply:	230 Vac 50/60 Hz
Power consumption:	60 Watts (typical) – 170 Watts (max)
Control:	Data bus rs485 Modbus RTU
Size W x D x H:	351 x 207 x 292 mm
Weight:	4.5 Kg
Frame:	Stainless steel 316
Air working range:	-20°C to +50°C
Noise:	10 dB (night mode) - 65 dB max
Vibration:	No significant vibration
Air duct size mm:	1 x 100 mm
Refrigerant pipe:	1/2" Gas 3/8" Liquid

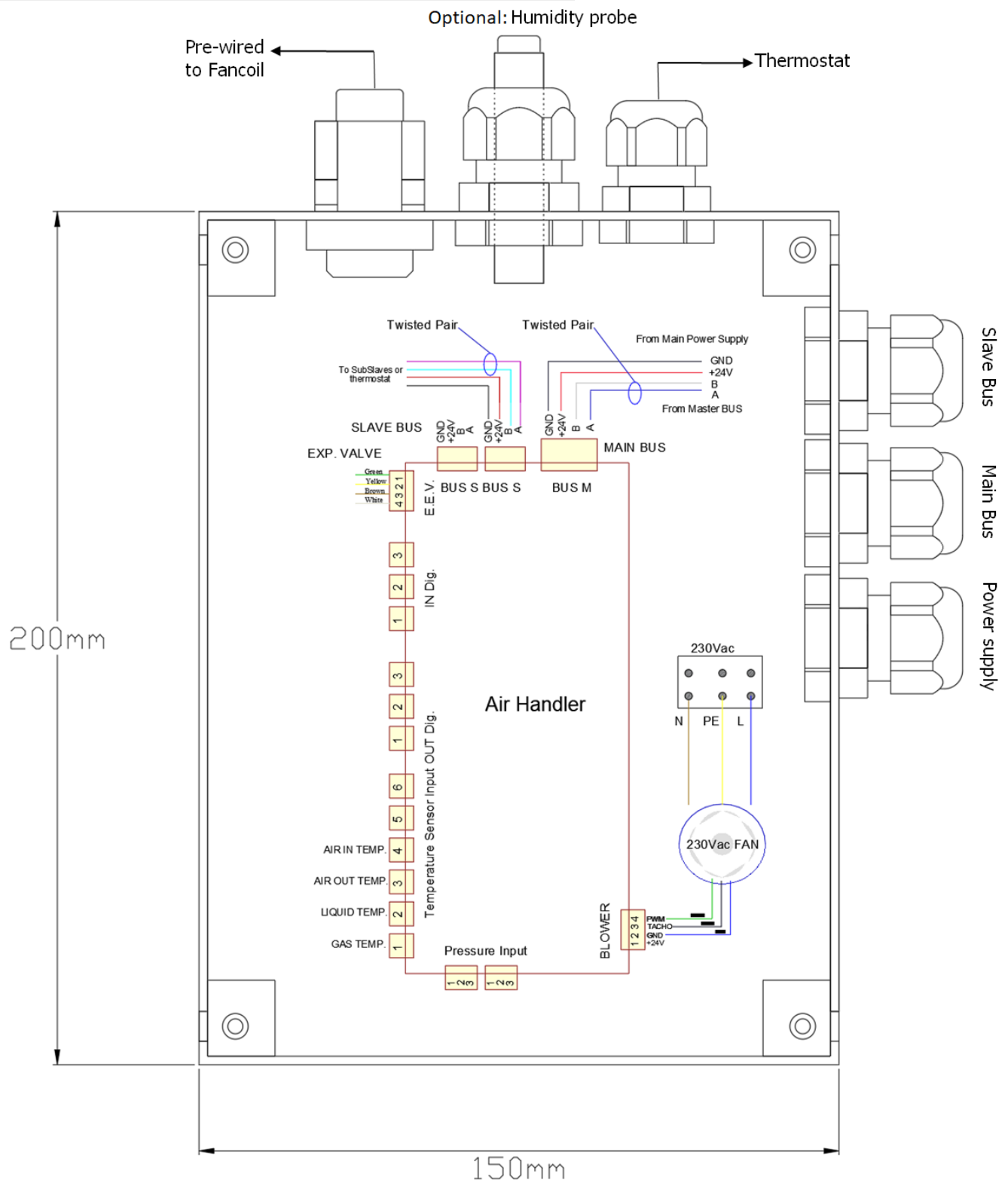
MR MAXI12

FAN PERFORMANCE CURVE



MR MAXI12

ELECTRICAL CONNECTIONS



MR MAXI12

OVERALL DIMENSIONS

