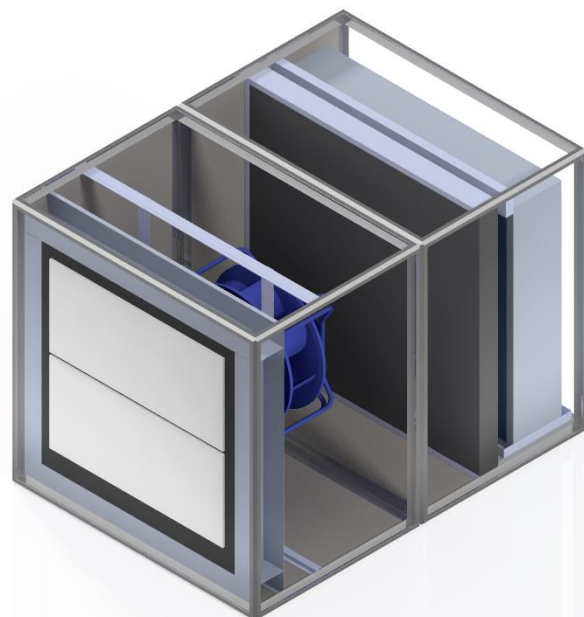


# AHU10000T

## DATASHEET



### CAPACITY

Air flow m <sup>3</sup> / h	1000	8000	10000
Cooling Kw	8,0	65,0	80,0
Heating Kw	8,0	65,0	80,0

**Static pressure:**

1500 Pa

**Power supply:**

400 Vac 50/60 Hz

**Power consumption:**

4 kW (max)

**Control:**

Data bus rs485 Modbus RTU

**Size W x D x H:**

1274 x 865 x 1273 mm (module n°1)

1274 x 865 x 1273 mm (module n°2)

**Weight:**

90kg (cooling coil unit) + 94Kg (fan unit)

**Frame:**

Aluminum silver anodized 30 µm + Stainless steel 316

**Air working range:**

-20°C to +50°C

**Noise:**

65 dB (typical) - 75 dB (max)

**Vibration:**

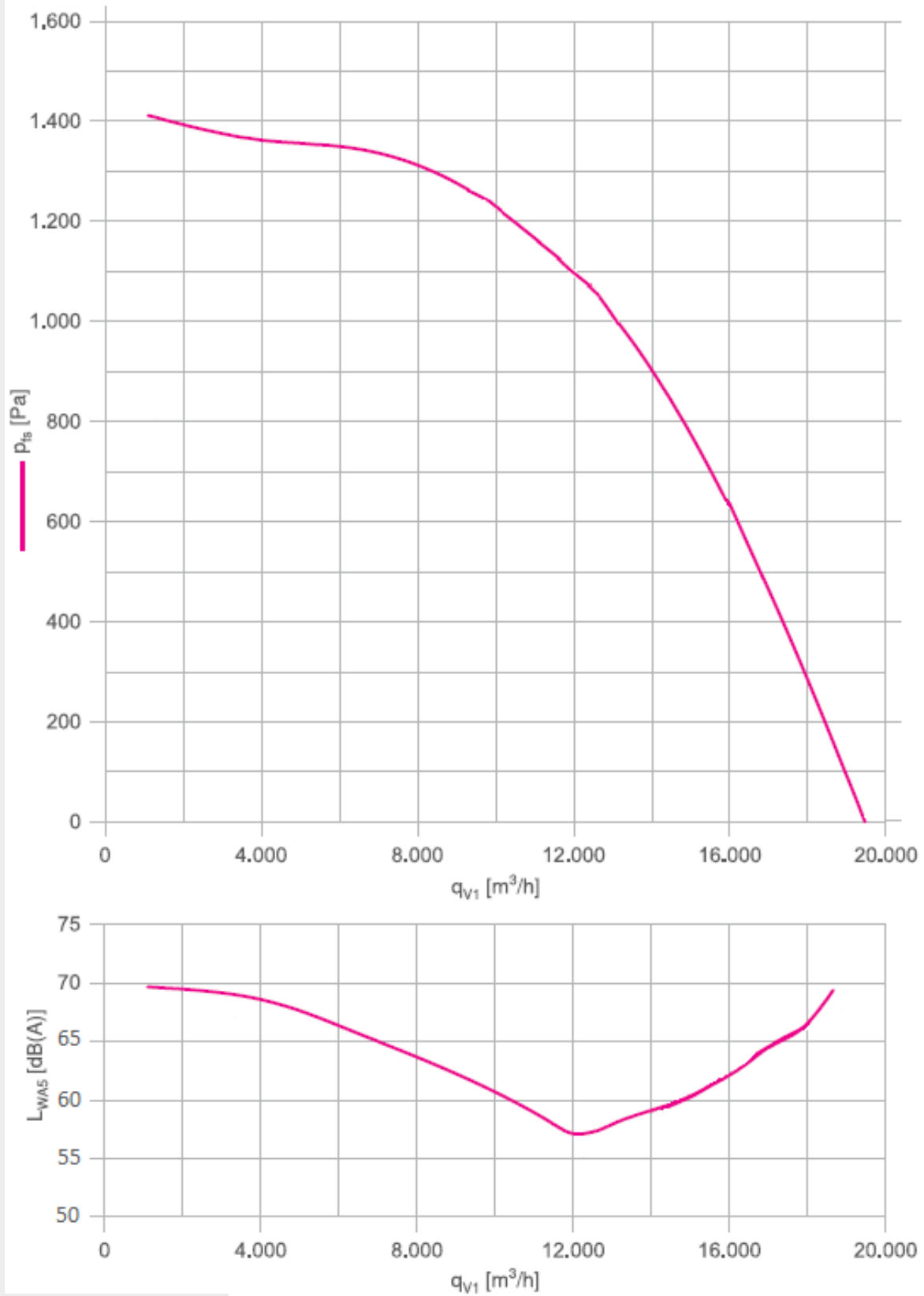
No significant vibration

**Air duct size mm:**

Custom made

# AHU10000T

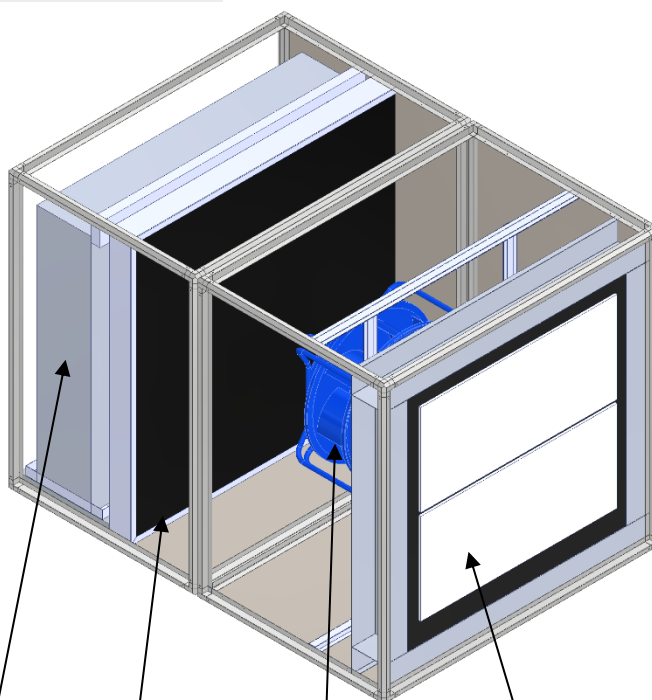
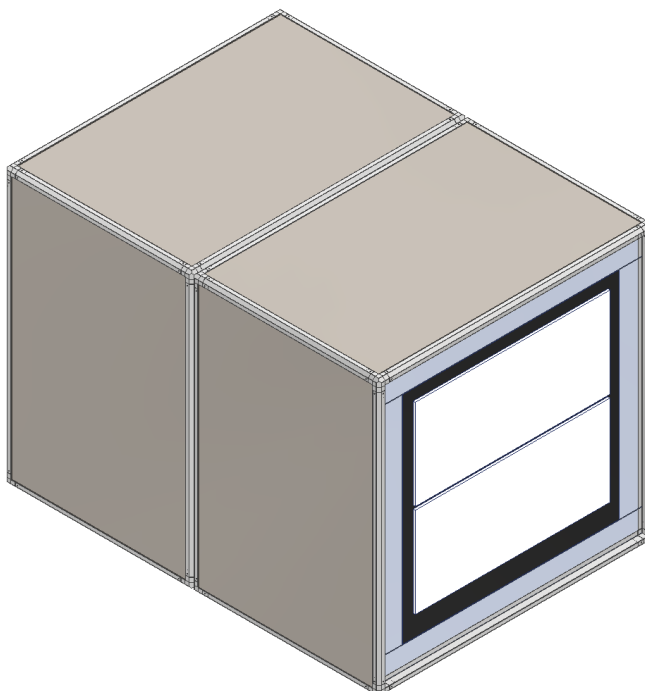
## FAN PERFORMANCE





# AHU10000T

## OVERALL DIMENSIONS



COOLING  
COIL

AIR  
FILTER

FAN

MIST  
ELIMINATOR

# AHU10000T

## OVERALL DIMENSIONS

