

AHU2000T

DATASHEET



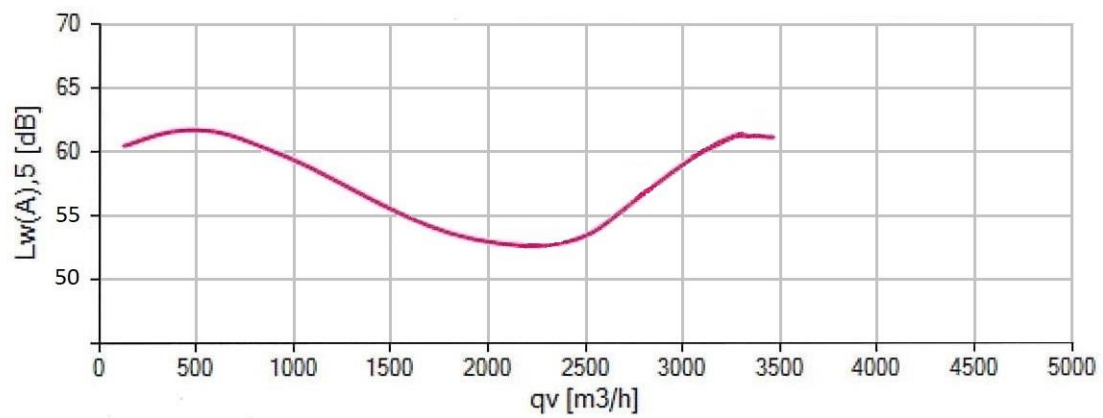
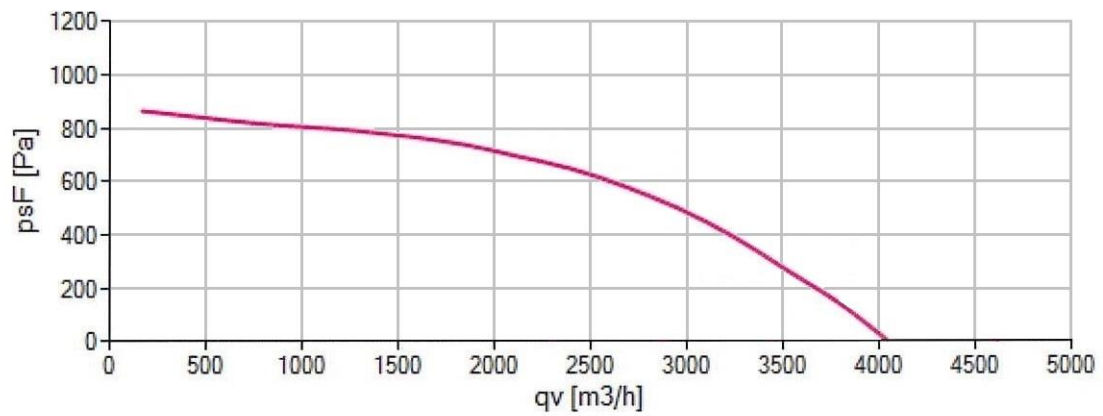
CAPACITY

Air flow m ³ / h	200	1500	2000
Cooling Kw	1,6	12,2	15,0
Heating Kw	1,6	12,2	15,0

Static pressure:	800 Pa
Power supply:	230 Vac 50/60 Hz
Power consumption:	150 W - 600 W (max)
Control:	Data bus rs485 Modbus RTU
Size W x D x H:	635 x 504 x 493 mm
Weight:	31 Kg
Frame:	Aluminum silver anodized 30 µm + Stainless steel 316
Air working range:	-20°C to +50°C
Vibration:	No significant vibration
Air duct size mm:	custom made
Refrigerant pipe:	3/4" Gas 1/2" Liquid

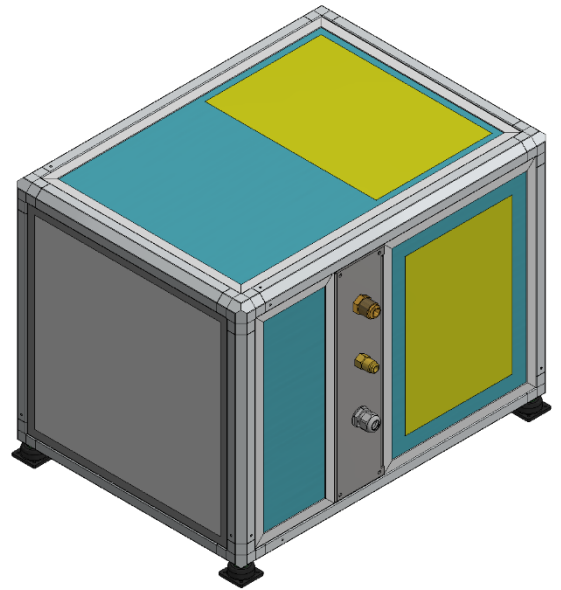
AHU2000T

FAN PERFORMANCE



AHU2000T

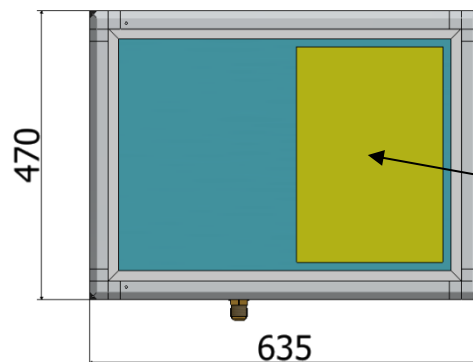
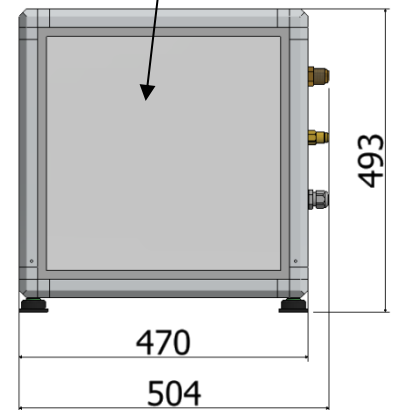
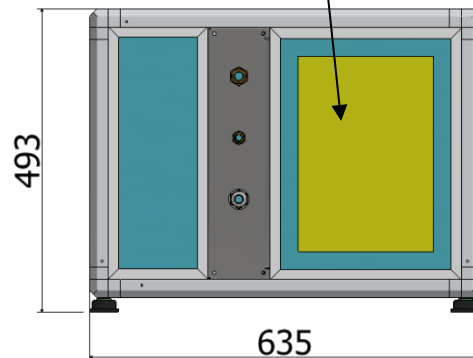
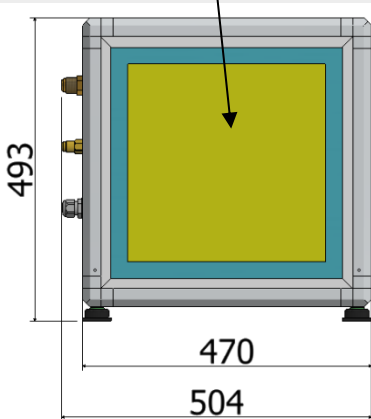
OVERALL DIMENSIONS



PENETRATION AREA FOR THE AIR DUCTING

PENETRATION AREA FOR THE AIR DUCTING

AIR INLET FILTER



PENETRATION AREA FOR THE AIR DUCTING