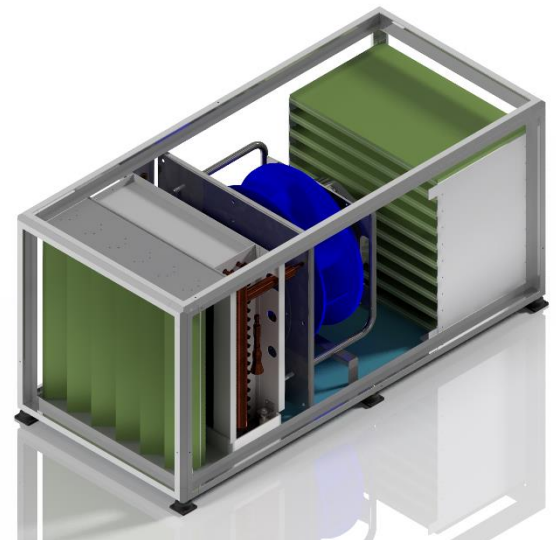


# AHU3000T

## DATASHEET



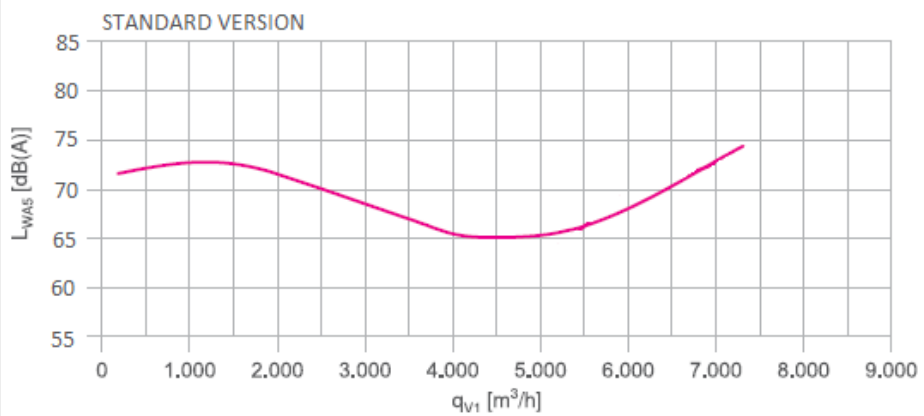
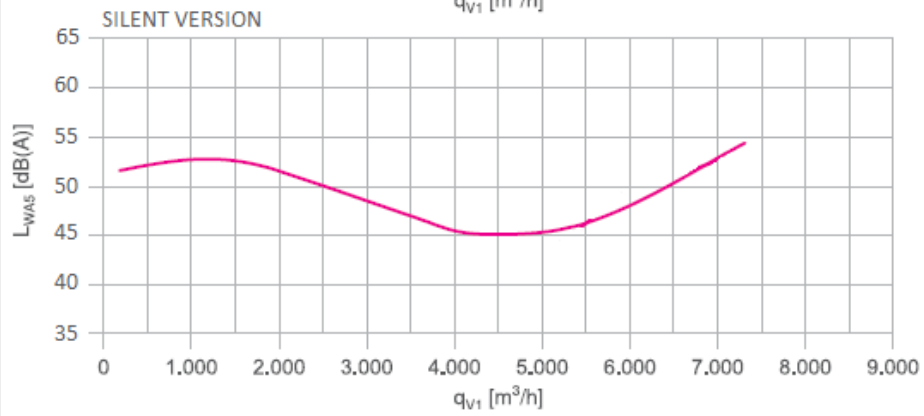
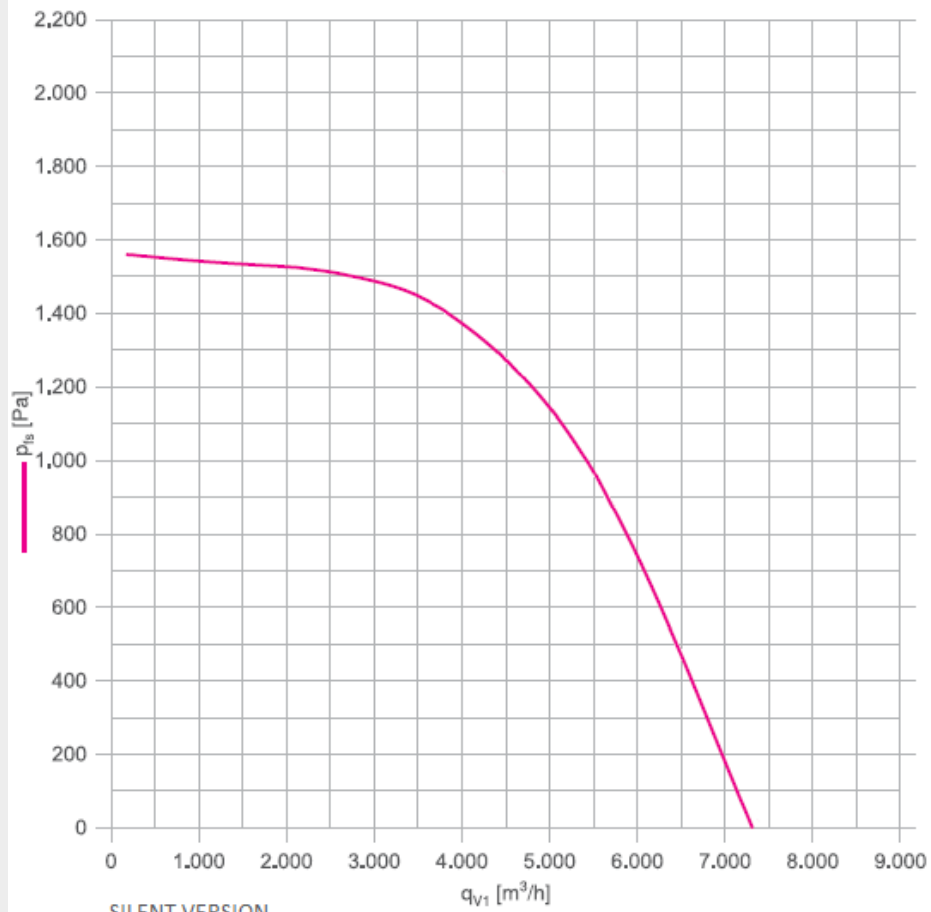
### CAPACITY

Air flow m <sup>3</sup> / h	300	2200	3000
Cooling Kw	2,5	17,8	25,0
Heating Kw	2,5	17,8	25,0

<b>Static pressure:</b>	1500 Pa
<b>Power supply:</b>	230 Vac 50/60 Hz
<b>Power consumption:</b>	650 W (max – fan only) 4kW (electric heater optional)
<b>Control:</b>	Data bus rs485 Modbus RTU
<b>Size W x D x H:</b>	684 x 597 x 580 mm (standard version) 1200 x 597 x 580 mm (with noise reduction package)
<b>Weight:</b>	40 Kg
<b>Frame:</b>	Aluminum silver anodized 30 µm + Stainless steel 316
<b>Air working range:</b>	-20°C to +50°C
<b>Noise:</b>	60 dB (typical) - 75 dB (max) 45dB - 55 dB (max with noise reduction pack)
<b>Vibration:</b>	No significant vibration
<b>Air duct size mm:</b>	custom made
<b>Refrigerant pipe:</b>	3/4" Gas      1/2" Liquid

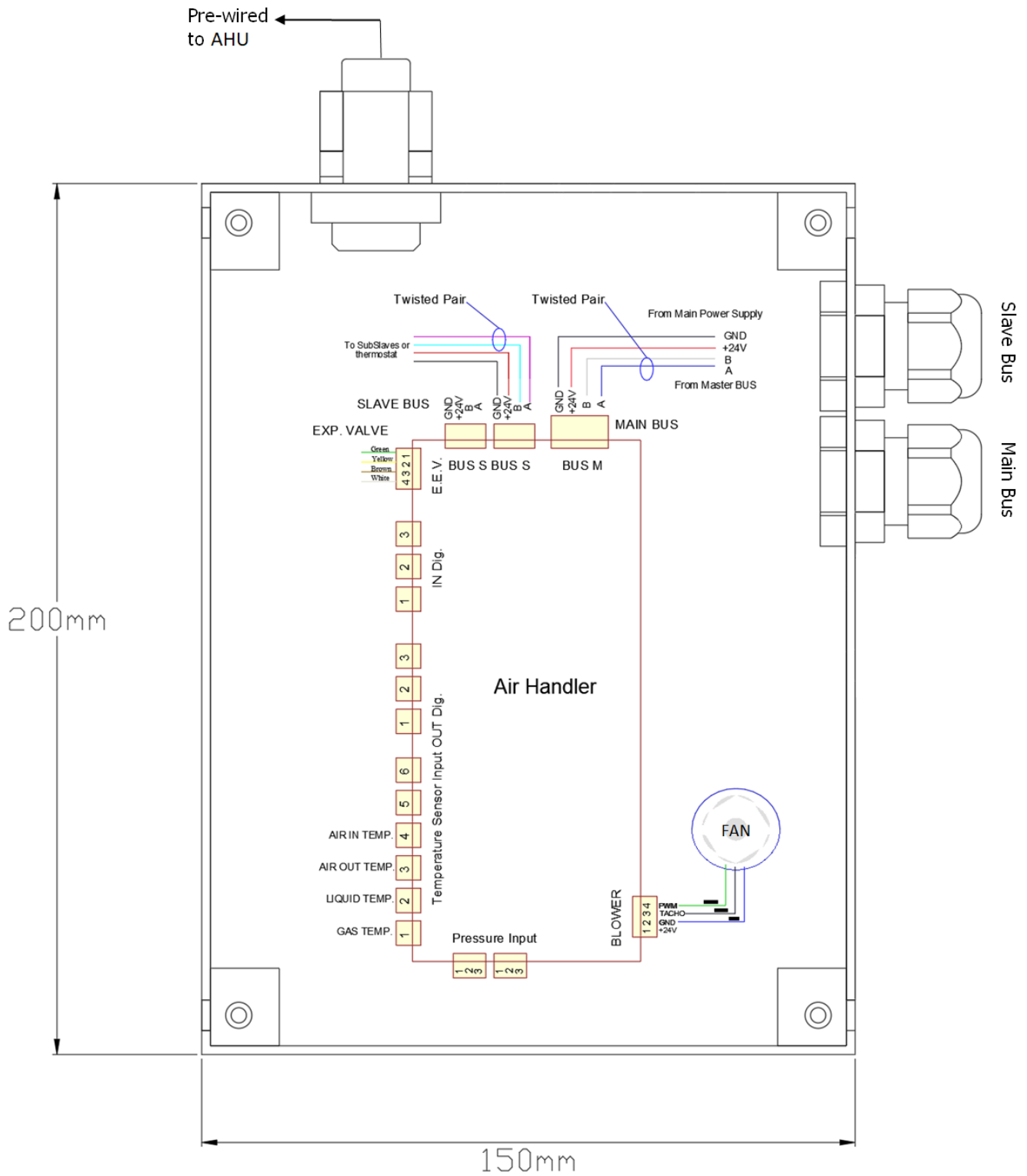
# AHU3000T

## FAN PERFORMANCE



# AHU3000T

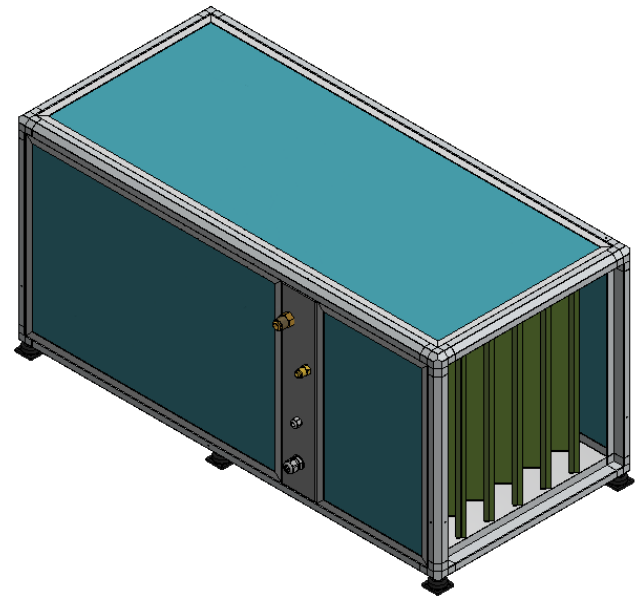
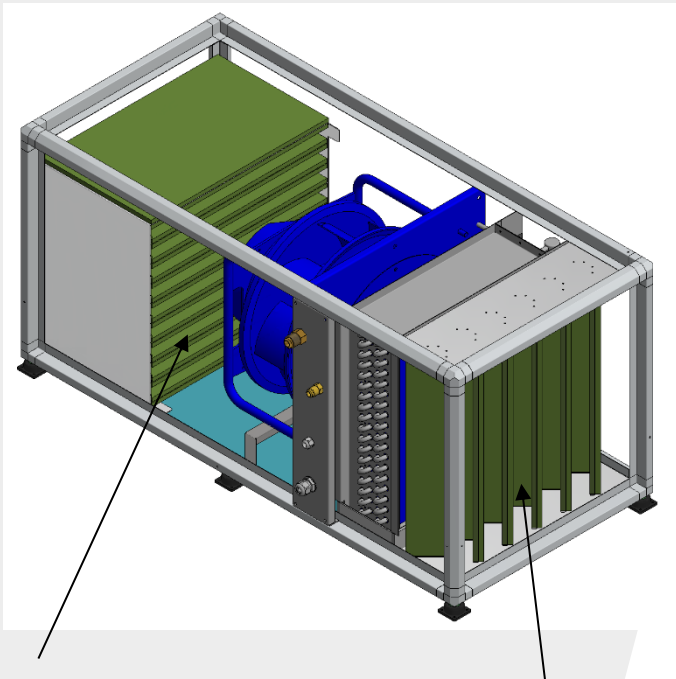
## ELECTRICAL CONNECTIONS



# AHU3000T

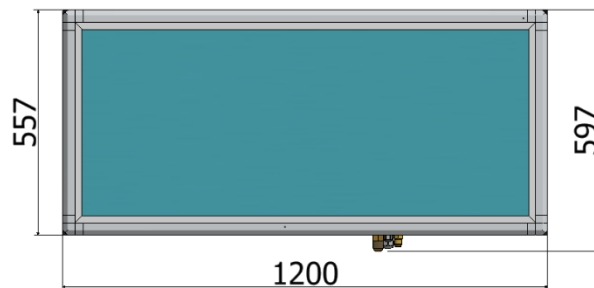
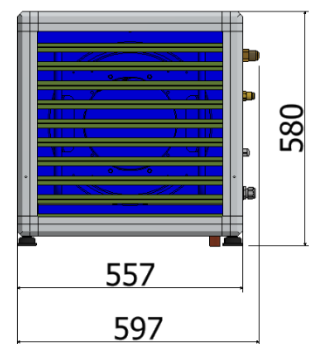
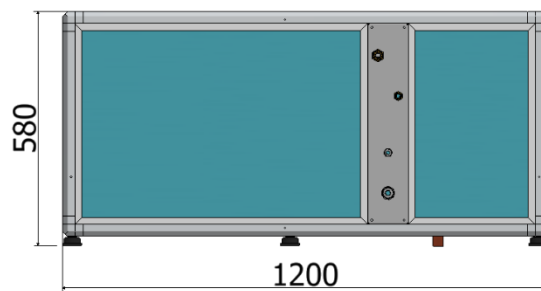
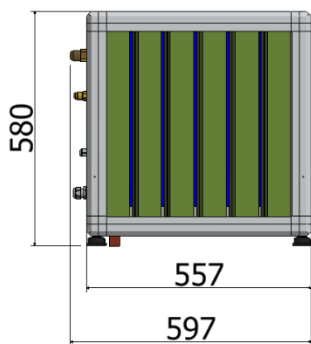
## OVERALL DIMENSIONS

VERSION WITH NOISE REDUCTION PACKAGE



SOUND ABSORBING  
PANELS IN SUCTION

SOUND ABSORBING  
PANELS IN SUPPLY



# AHU3000T

STANDARD VERSION

OVERALL  
DIMENSIONS

