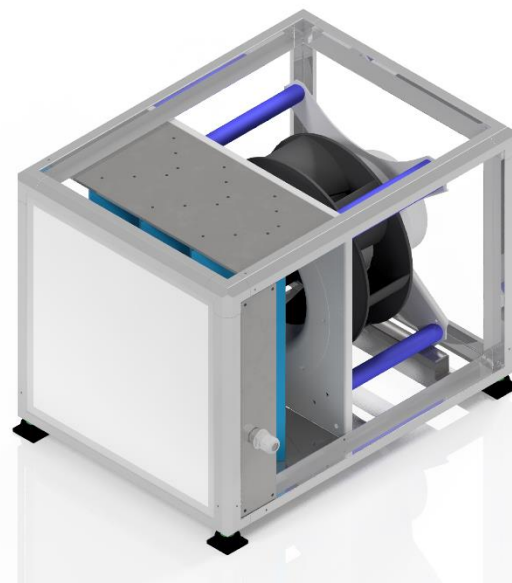


EXH2000

DATASHEET



CAPACITY

Air flow m ³ / h	200	1500	2000
-----------------------------	-----	------	------

Static pressure:

800 Pa

Power supply:

230 Vac 50/60 Hz

Power consumption:

170 W (max)

Control:

Data bus rs485 Modbus RTU

Size W x D x H:

635 x 501 x 493 mm

Weight:

25 Kg

Frame:

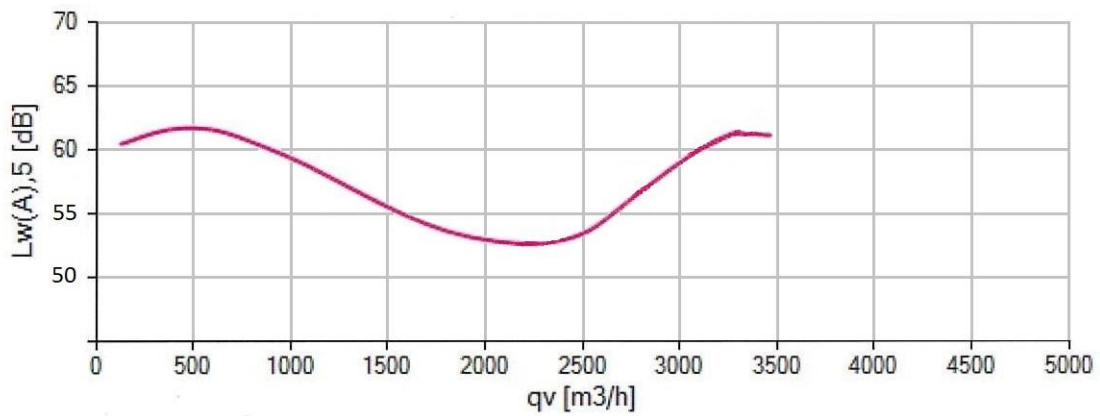
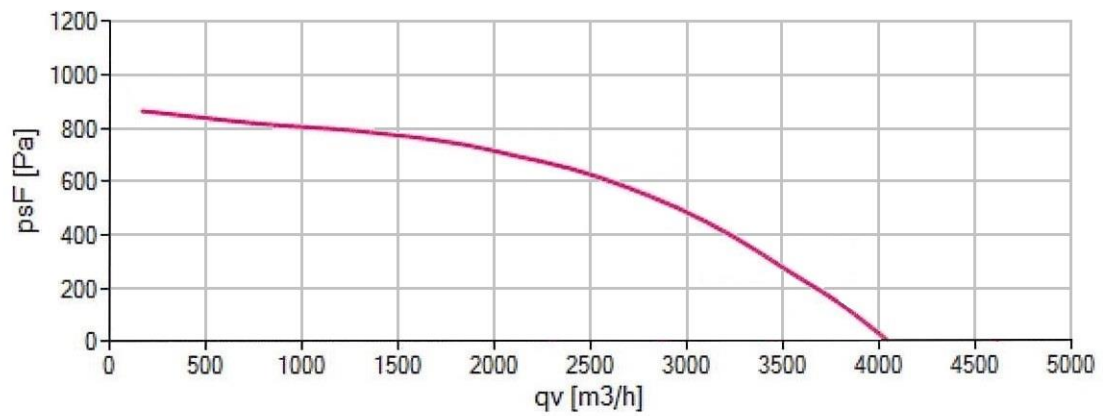
Aluminum silver anodized 30 µm + Stainless steel 316

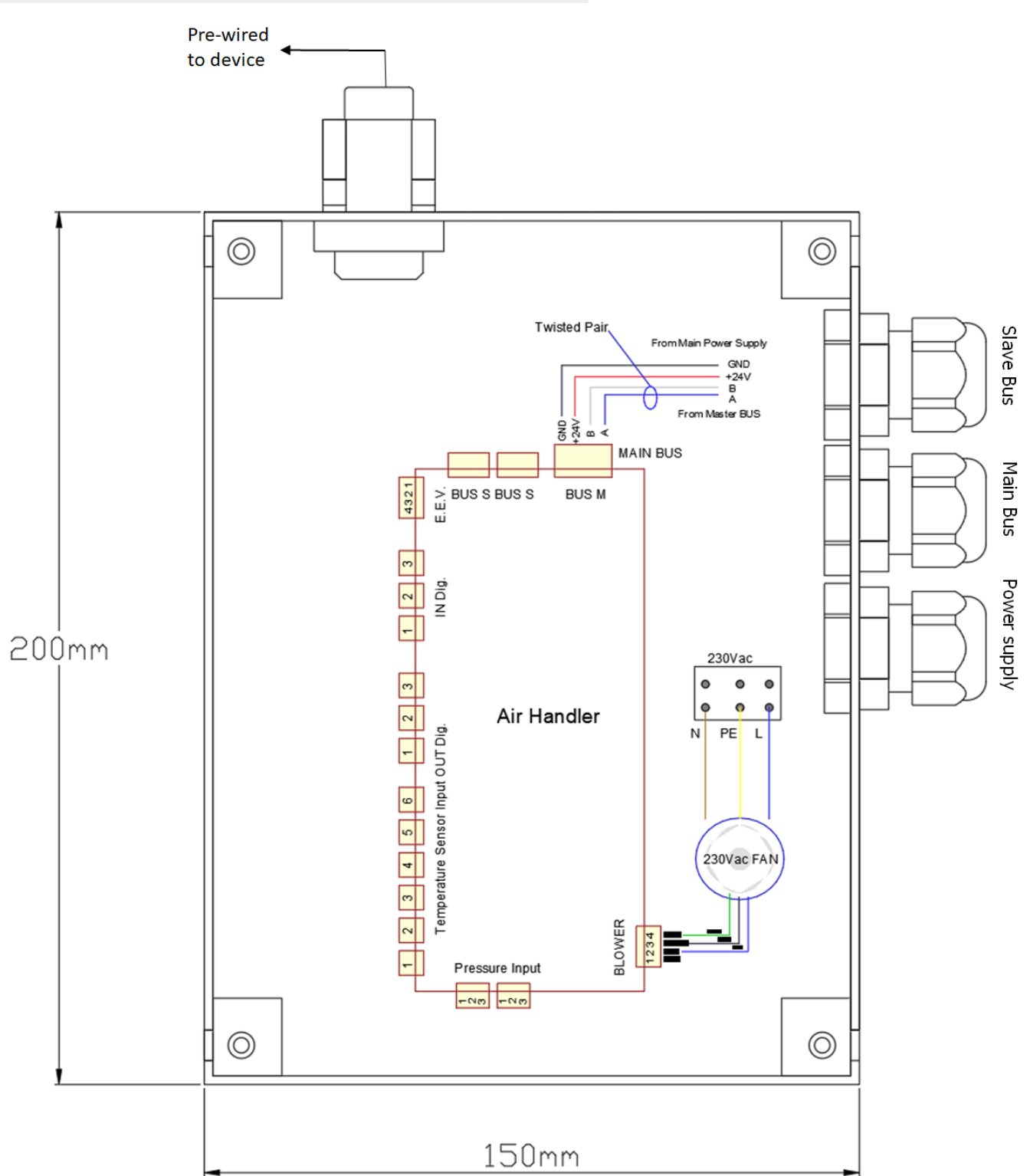
Vibration:

No significant vibration

Air duct size mm:

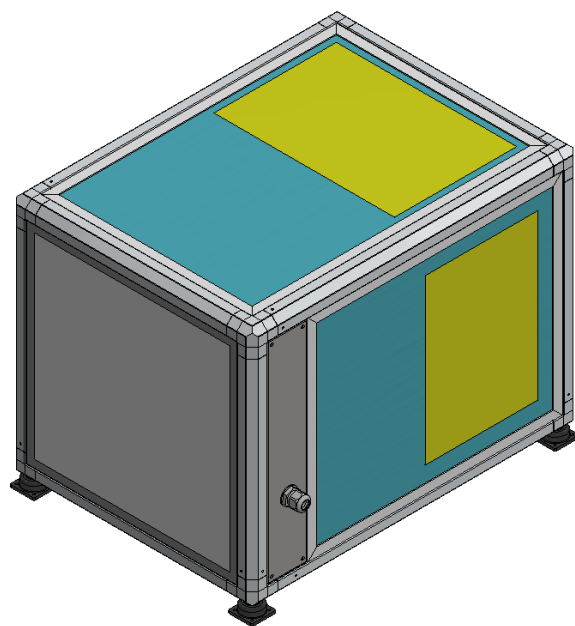
custom made



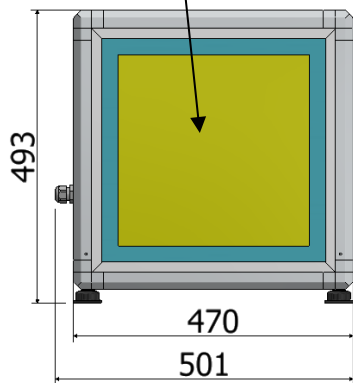


EXH2000

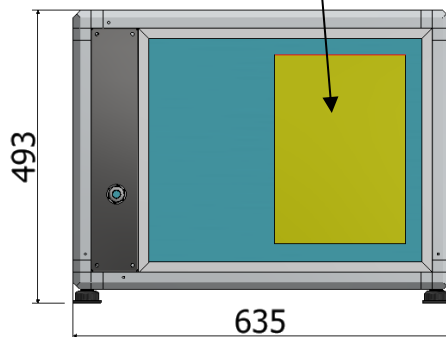
OVERALL DIMENSIONS



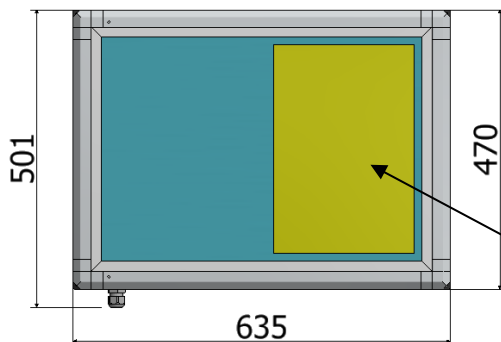
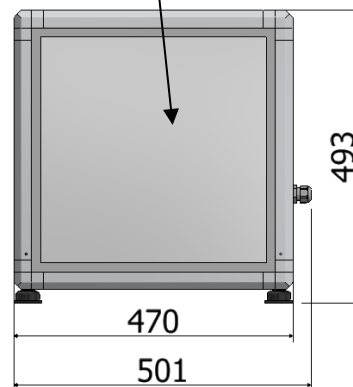
PENETRATION AREA FOR THE AIR DUCTING



PENETRATION AREA FOR THE AIR DUCTING



AIR INLET FILTER



PENETRATION AREA FOR THE AIR DUCTING