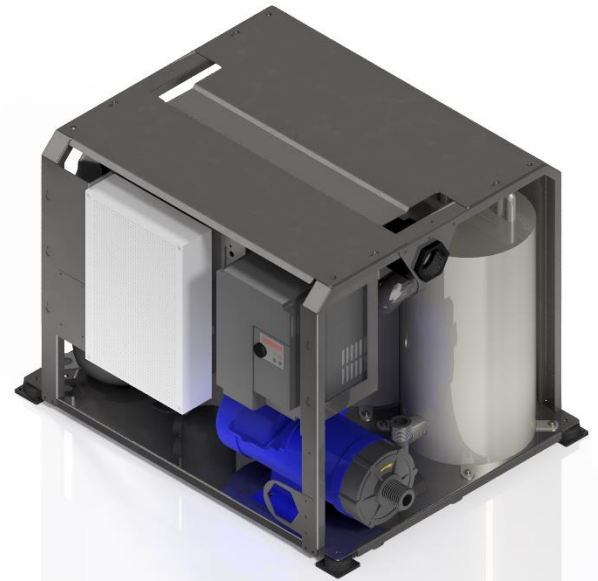


# VRV25E1

## DATASHEET



|                         |         |        |        |
|-------------------------|---------|--------|--------|
| Cooling capacity KW     | min 4   | std 22 | max 25 |
| Cooling power source KW | min 0,8 | std 4  | max 6  |
| Heating capacity KW     | min 4   | std 22 | max 27 |
| Heating power source KW | min 0,8 | std 4  | max 6  |

|                                    |  |                           |  |
|------------------------------------|--|---------------------------|--|
| <b>Power supply:</b>               | 180 - 250 V 1Phase / 50-60Hz<br>400 Vac and 700 Vdc on request.          |                           |  |
| <b>Sea water pump:</b>             | Magnetic type 300 watt included in unit power consumption.<br>180 lt/min |                           |  |
| <b>Size W x D x H:</b>             | 750 x 528 x 477 mm   |                           |  |
| <b>Weight:</b>                     | 87 Kg  |                           |  |
| <b>Sea water working range:</b>    | +3°C to +40°C  | Option polar water: -5°C  |  |
| <b>Air working range:</b>          | -20°C to +50°C   |                           |  |
| <b>Noise:</b>                      | Compressor @ 140 hz – 73db @ 1 meter from box                            |                           |  |
| <b>Vibration:</b>                  | No significant vibration transmitted to the feet                         |                           |  |
| <b>Sea water pipes connection:</b> | 1,5"   |                           |  |
| <b>Refrigerant pipe:</b>           | 1 x 5/8" Gas   | 3 x 1/2"; 2 x 3/8" Liquid |  |

Compressor box use VRV inverter architecture with refrigerant circulation inside air handler  
Databus rs485 modbus on board

24Volt @ 100watt power supply 24VDC integrated in compressor unit for 1 air handler management

System based on Toshiba VFD and twin rotary compressor



### CONDENSER:

Titanium Grade 2. No fouling, no corrosion. 3 times lighter than copper nickel



### COMPRESSOR:

Toshiba inverter twin rotary. COP > 4

Rotation speed: 600 to 6000 rpm



### FRAME:

Stainless Steel 316



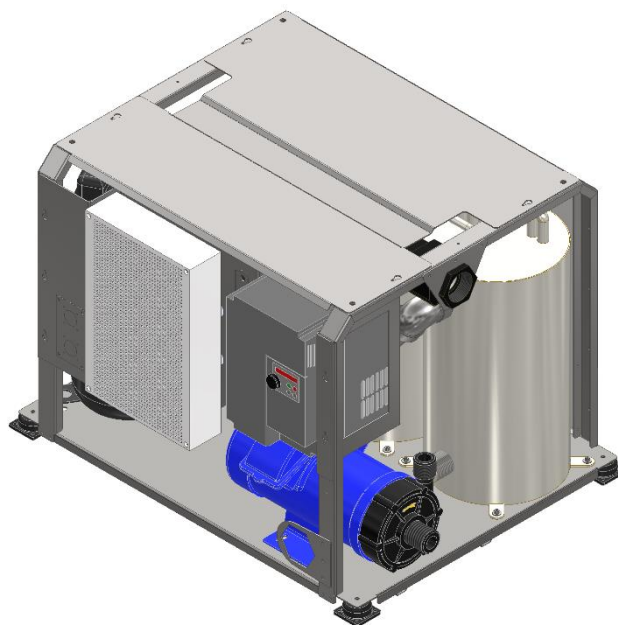
### SOFTWARE MANAGEMENT:

Compressor high temperature, low temperature, high pressure condenser, low pressure compressor, electronic pressure gas, electronic pressure liquid, Condensation control, Evaporation control

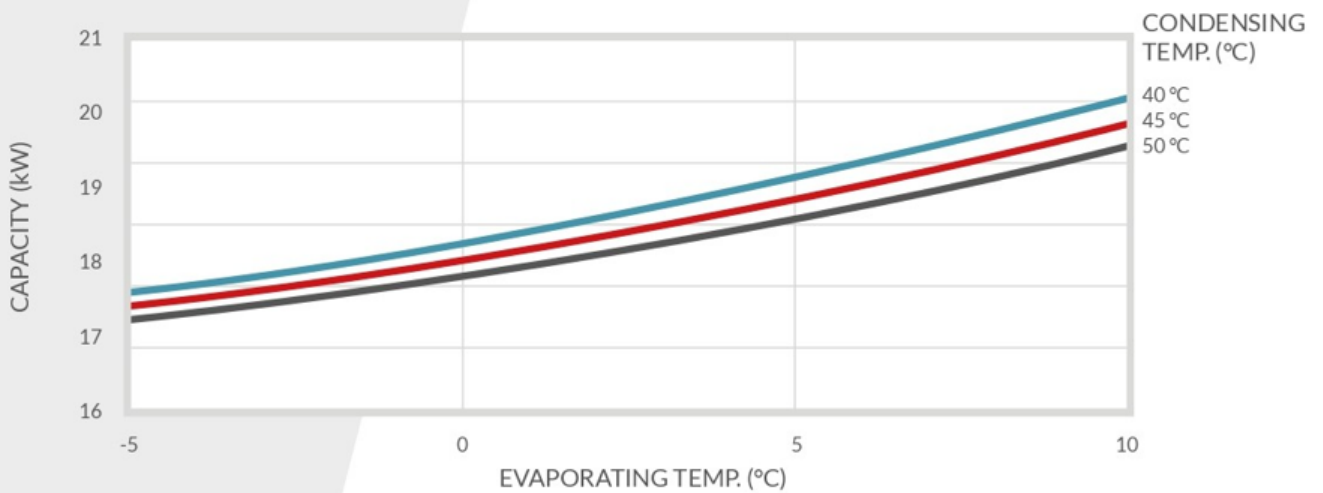
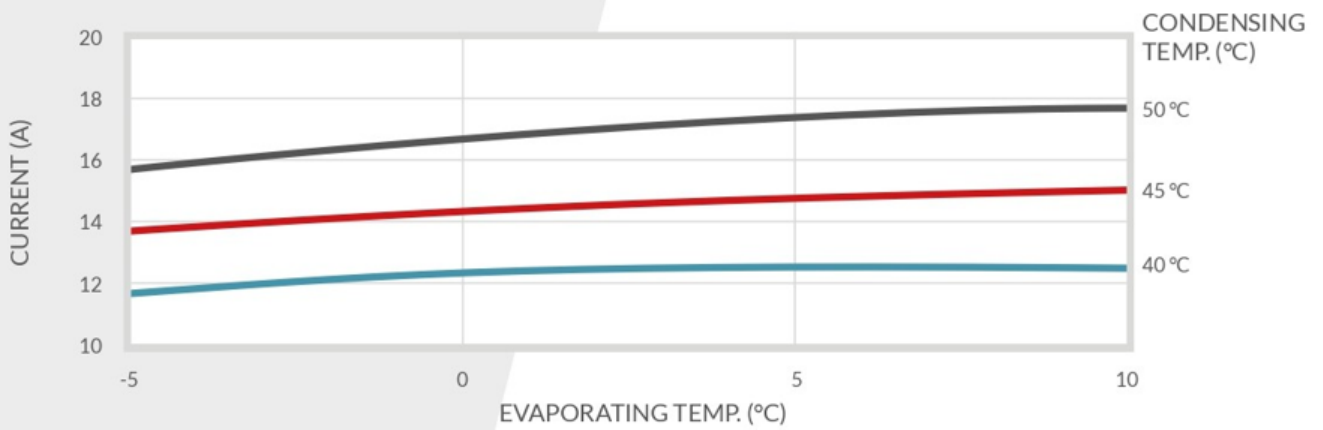
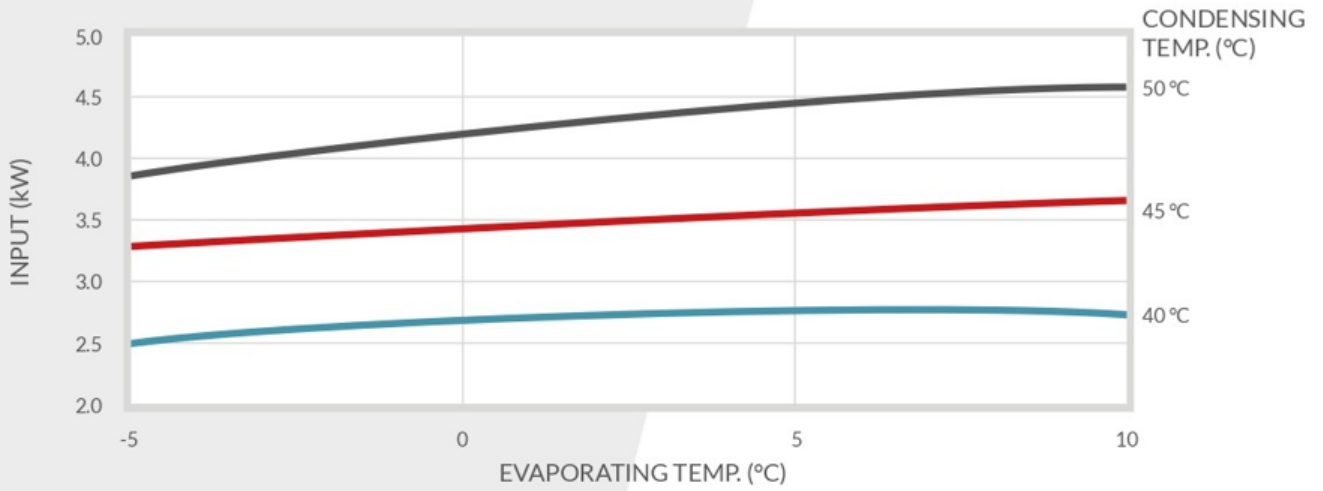


### COMPRESSOR PROTECTION:

Over/undervoltage, overcurrent, torque, winding temperature, stepout (bad lubrication), power input, power output, efficiency, overload, oil level (with EEV)

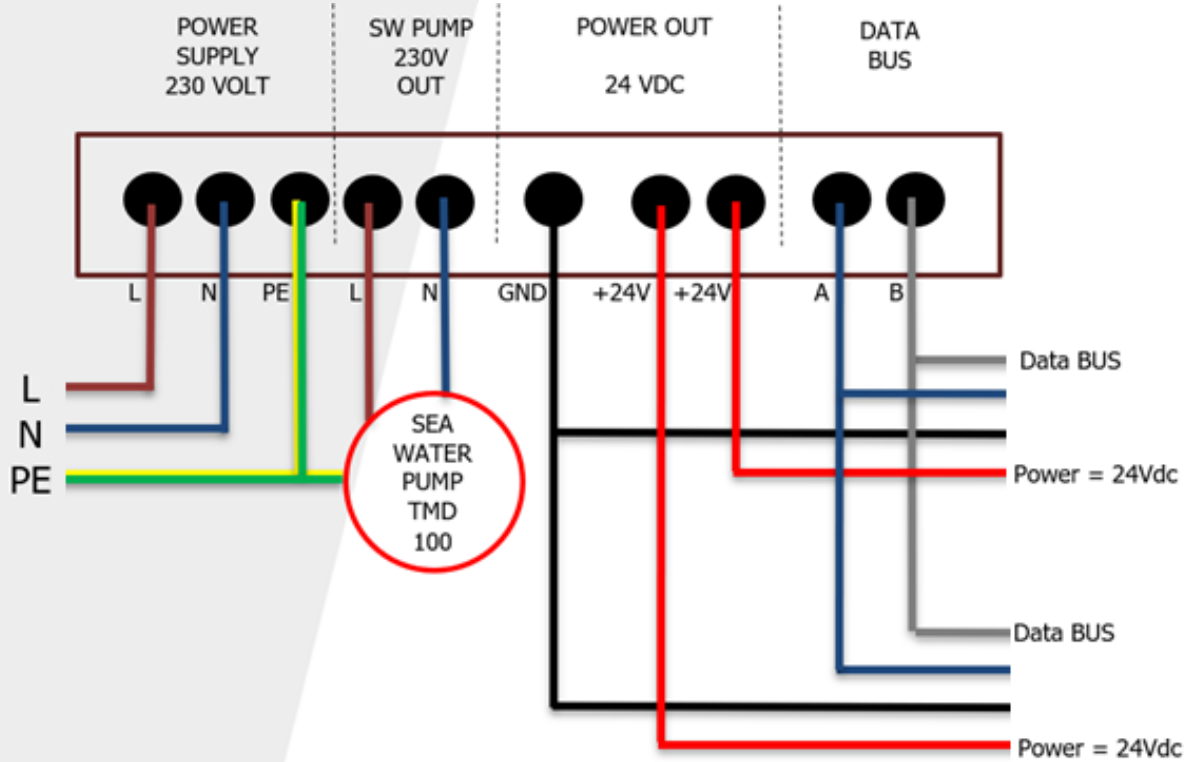


# VRV25E1 PERFORMANCE CURVE DC INVERTER 70 rps/100



# VRV25E1

## ELECTRICAL CONNECTIONS



# VRV25E1

## OVERALL DIMENSIONS

