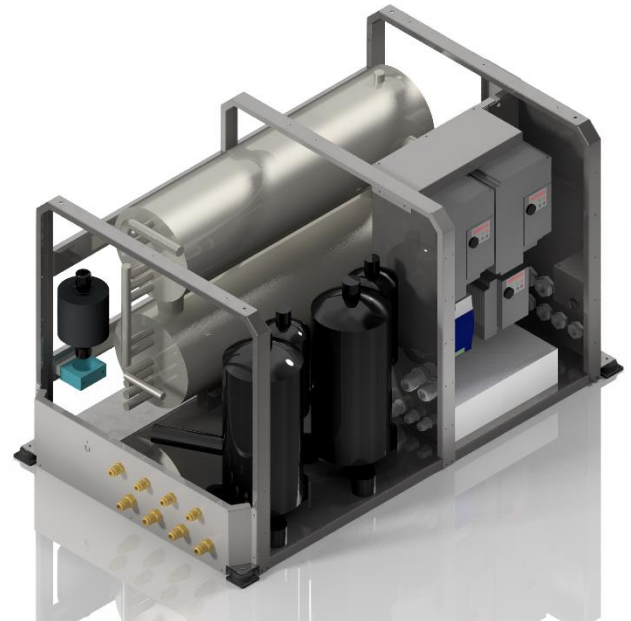


# VRV35X2

## DATASHEET



|                         |         |        |        |
|-------------------------|---------|--------|--------|
| Cooling capacity KW     | min 5   | std 30 | max 35 |
| Cooling power source KW | min 1,5 | std 5  | max 9  |
| Heating capacity KW     | min 5   | std 30 | max 38 |
| Heating power source KW | min 1,5 | std 5  | max 9  |

**Power supply:**

180 - 230Vac / 50-60Hz  
1ph+N

400 and 700 Vdc on request.

**Sea water pump:**

Magnetic type. Centrifugal 220-350lt/min 0,37kw-1kw included in compressor unit power consumption.

Variable speed.

**Size W x D x H:**

1059 x 623 x 593 mm

**Weight:**

129 Kg

**Sea water working range:**

+3°C to +40°C

**Air working range:**

-20°C to +50°C

**Noise:**

Compressor @ 140 hz – 73db @ 1 meter from box

**Vibration:**

No significant vibration transmitted to the feet

**Sea water pipes connection:**

1" 1/2

**Refrigerant pipe:**

3 x 3/4" Gas

3 x 1/2" Liquid

Compressor box use VRV inverter architecture with refrigerant circulation inside air handler

Databus rs485 modbus on board

System based on Toshiba VFD and twin rotary compressor



### CONDENSER:

Titanium Grade 2. No fouling, no corrosion. 3 times lighter than copper nickel



### COMPRESSOR:

Toshiba inverter twin rotary. COP > 5

Rotation speed: 600 to 6000 rpm



### FRAME:

Stainless Steel 316



### SOFTWARE MANAGEMENT:

Compressor high temperature, low temperature, high pressure condenser, low pressure compressor, electronic pressure gas, electronic pressure liquid, Condensation control, Evaporation control



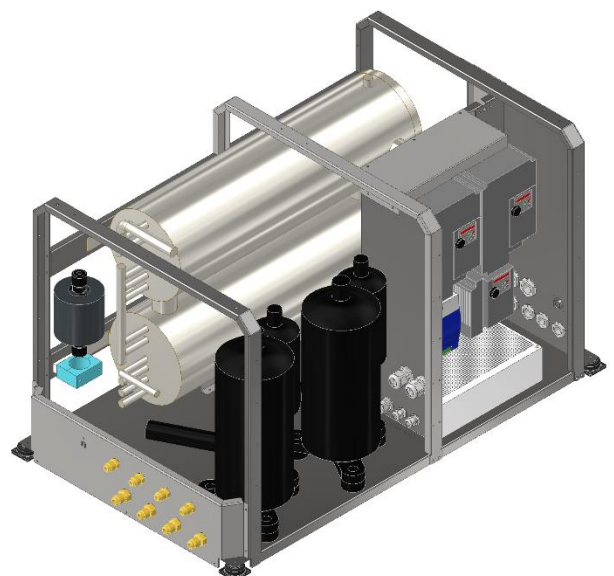
### COMPRESSOR PROTECTION:

Over/undervoltage, overcurrent, torque, winding temperature, stepout (bad lubrication), power input, power output, efficiency, overload, oil level (with EEV)

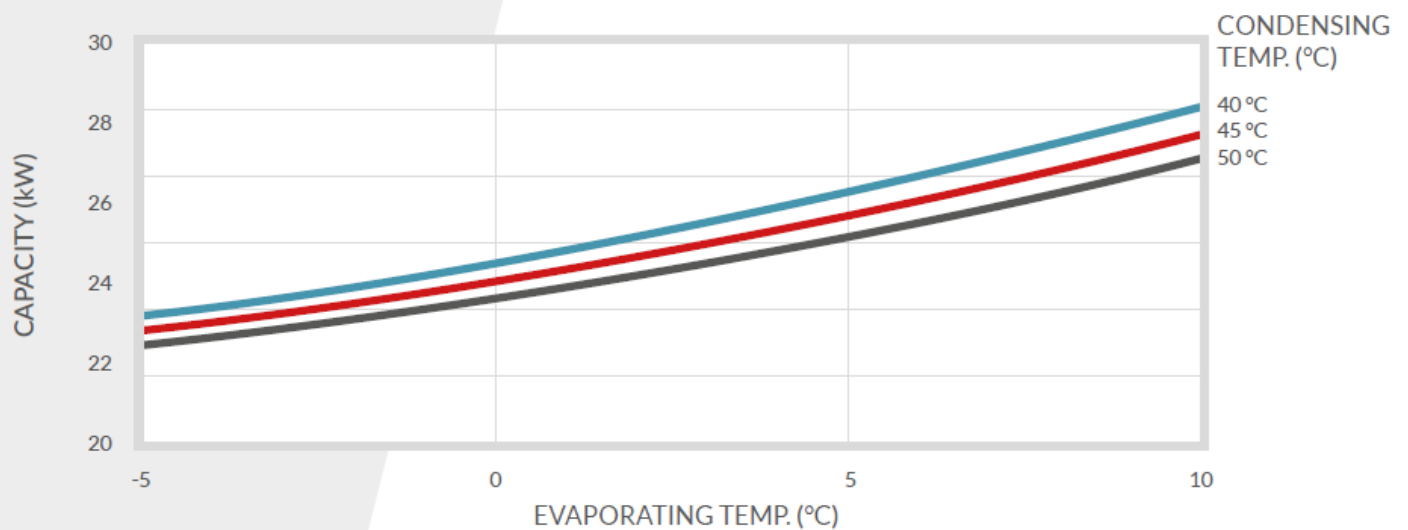
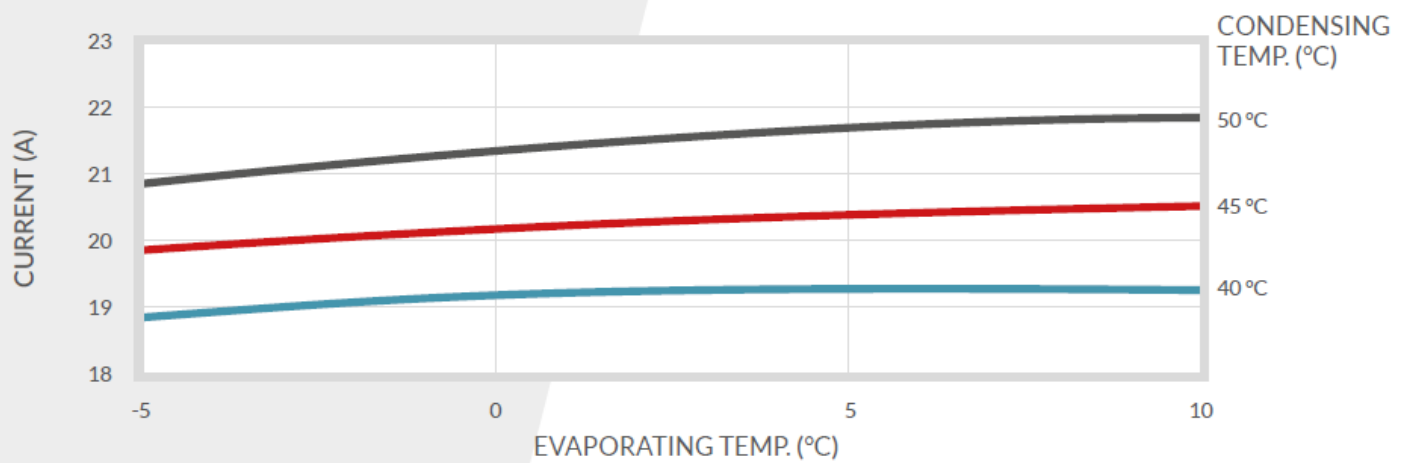
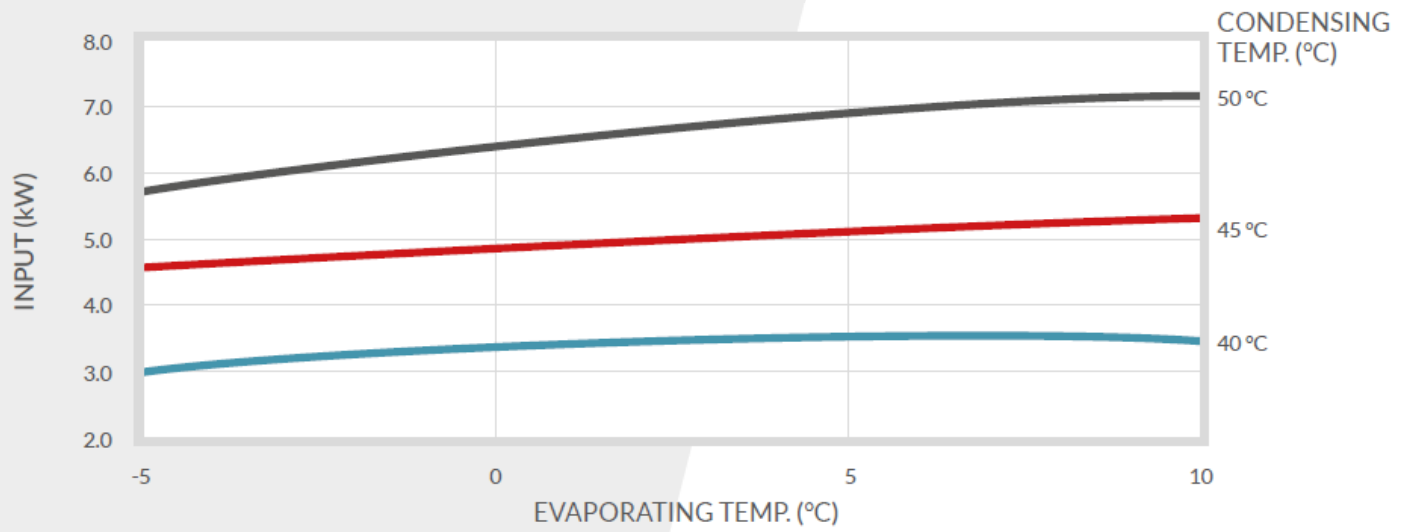


### ELECTRONIC:

Microprocessor board with rs485 modbus rtu communication. Interface to Termodinamica air handling unit or fresh air unit

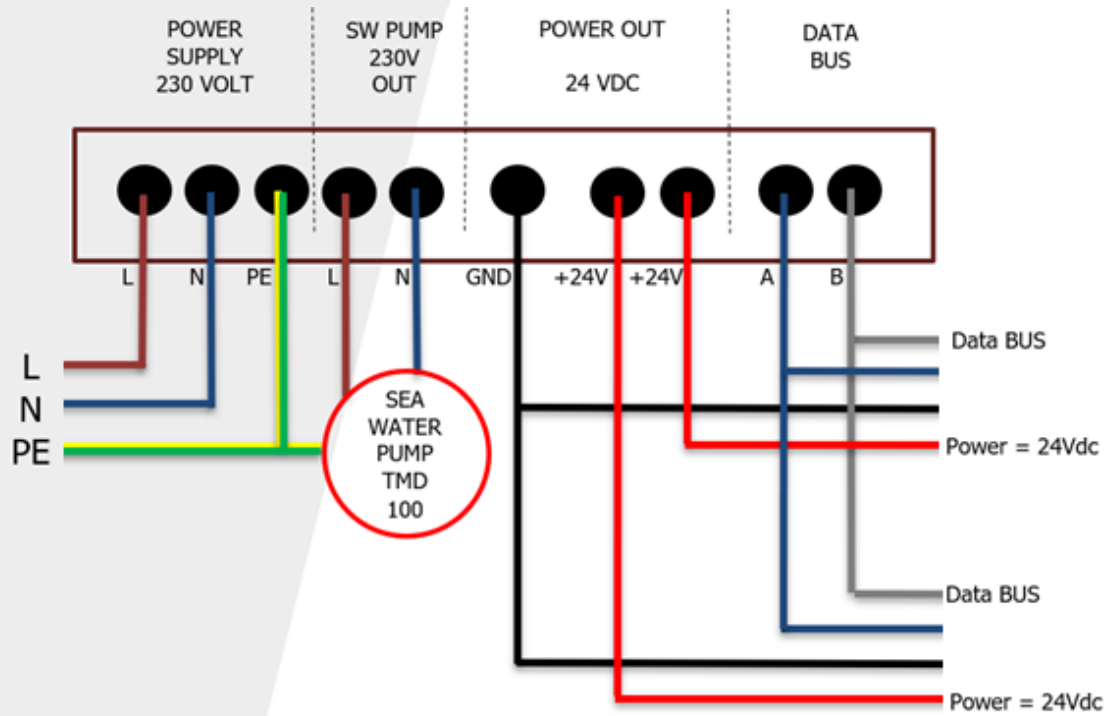


# VRV35X2 PERFORMANCE CURVE DC INVERTER 70 rps/100



# VRV35X2

## ELECTRICAL CONNECTIONS



# VRV35X2

## OVERALL DIMENSIONS

