

# VRV12E1

DATASHEET



## Cooling & heating - capacity

Cooling capacity KW	min 3,6	std 9,6	max 12
Cooling power source KW	min 0,7	std 2	max 2,6
Heating capacity KW	min 3,6	std 9,6	max 12
Heating power source KW	min 0,7	std 2	max 2,6

### Total BTU Capacity:

Comparable to 55.000 BTU/h of the competitors.

### Power supply:

180 – 250 V 1Phase 50/60Hz

### Sea water pump:

Magnetic type 180 watt included in unit power consumption.  
100 lt/min

### Size W x D x H:

540 x 483 x 443 mm

### Weight:

48 Kg

### Sea water working range:

+3°C to +40°C      Option polar water: -5°C

### Air working range:

-20°C to +50°C

### Noise:

Compressor @ 140 hz – 40 db @ 1 meter from box

### Vibration:

No significant vibration transmitted to the feet

### Sea water pipe connection:

1"

### Refrigerant pipe:

5/8" Gas      1/2" Liquid

Compressor box use VRV inverter architecture with refrigerant circulation inside air handler  
Databus rs485 modbus on board

System based on Toshiba VFD and twin rotary compressor



### CONDENSER:

Titanium Grade 2. No fouling, no corrosion. 3 times lighter than copper nickel  
Titanium is an everlasting material that assure to your system long reliability



### COMPRESSOR:

Toshiba inverter twin rotary. COP > 4



### FRAME:

Stainless Steel 316



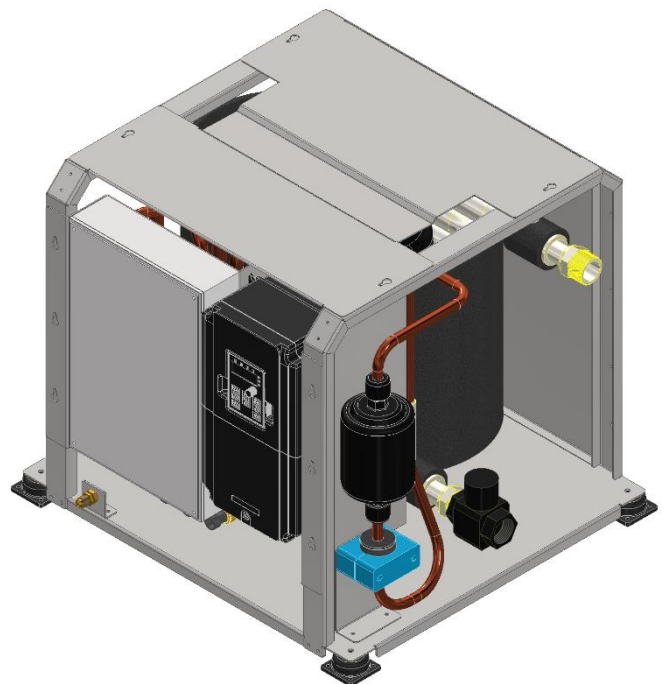
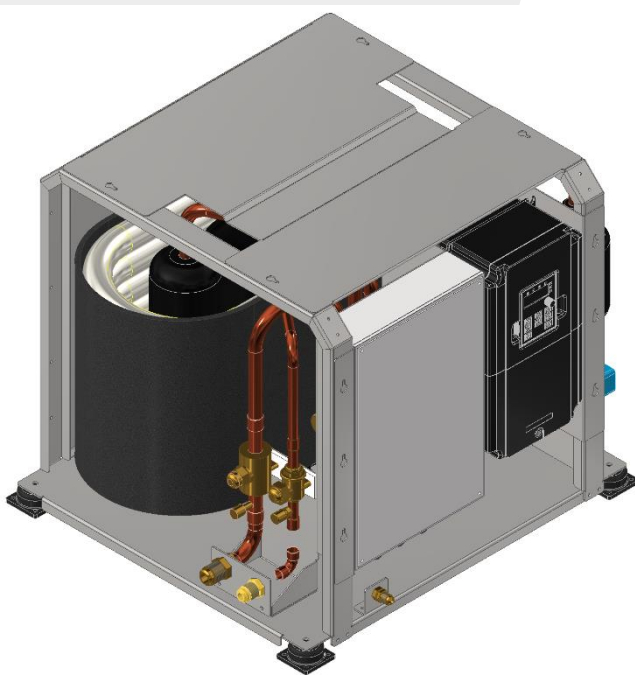
### SOFTWARE MANAGEMENT:

Compressor high temperature, low temperature, high pressure condenser, low pressure compressor, electronic pressure gas, electronic pressure liquid, Condensation control, Evaporation control



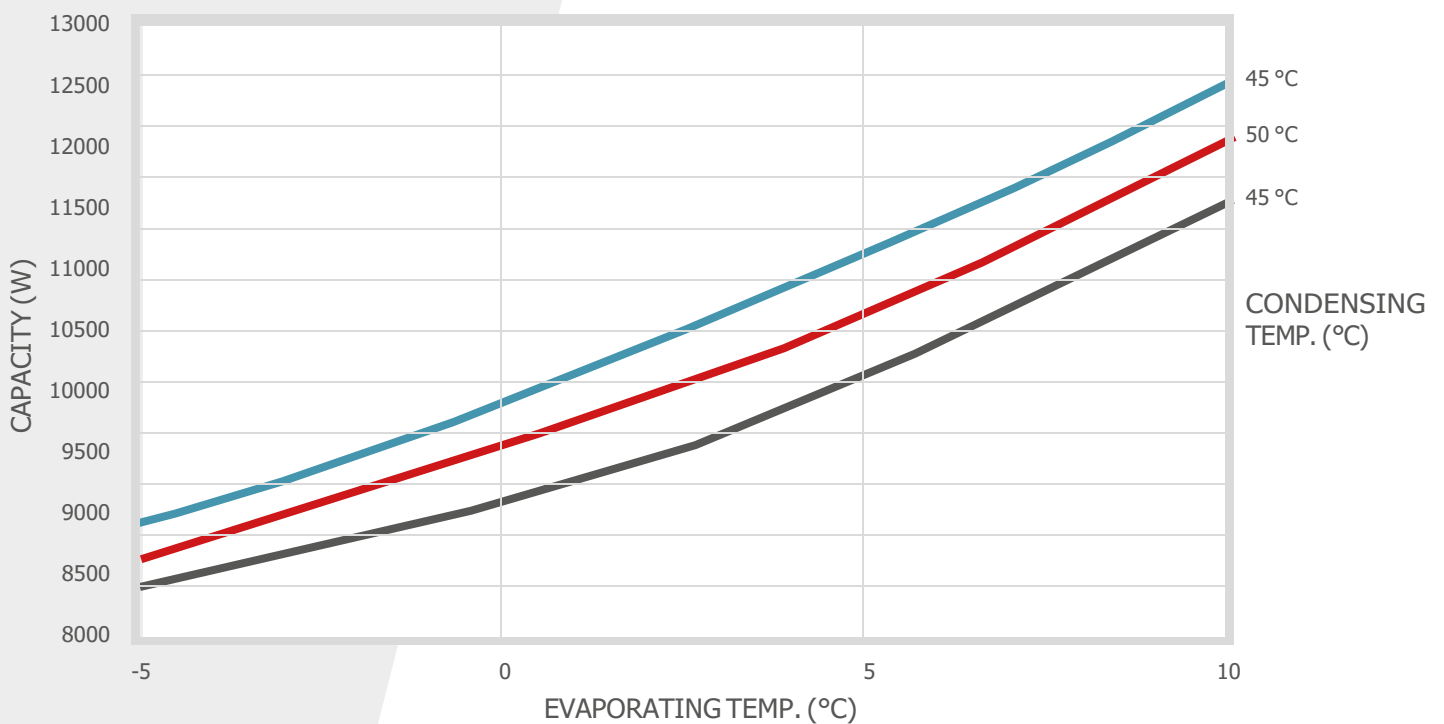
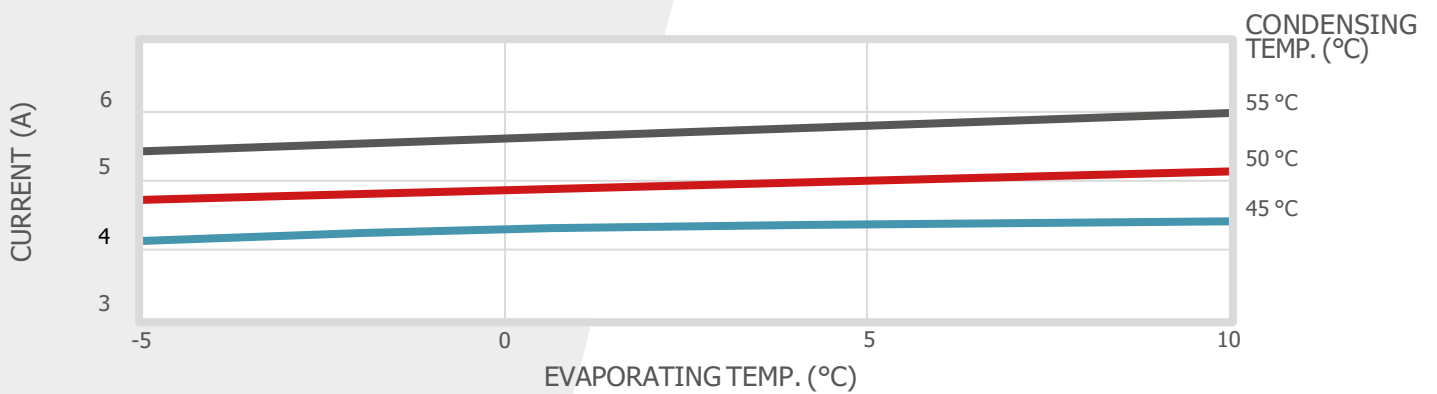
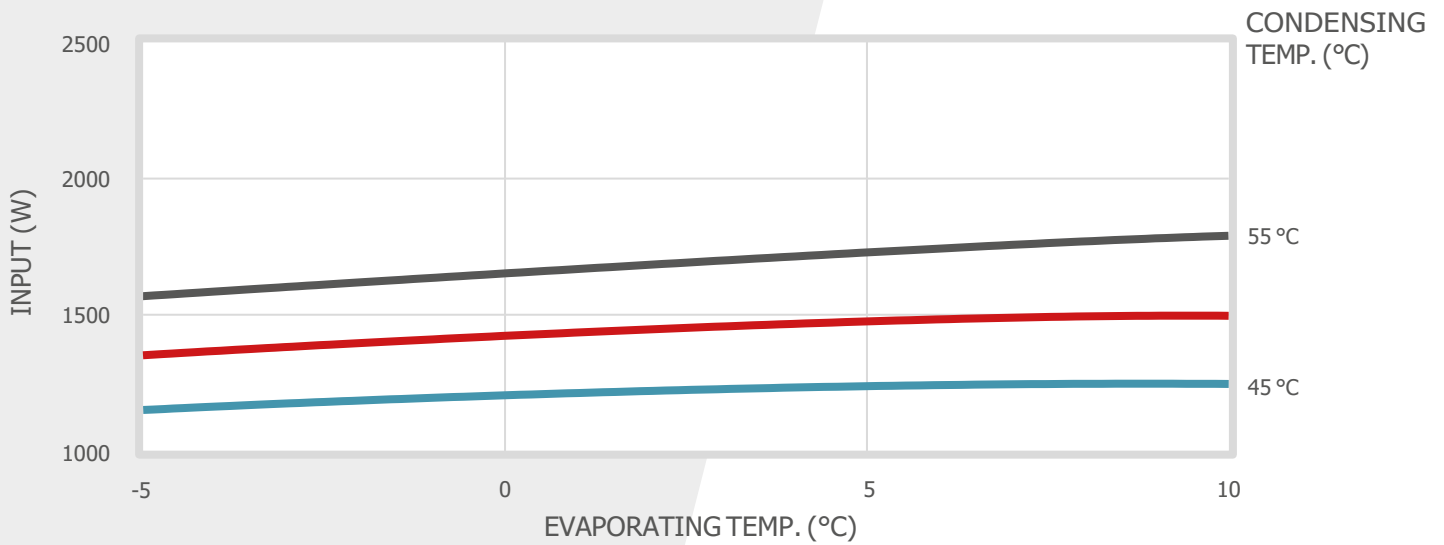
### COMPRESSOR PROTECTION:

Over/undervoltage, overcurrent, torque, winding temperature, stepout (bad lubrication), power input, power output, efficiency, overload, oil level (with EEV)



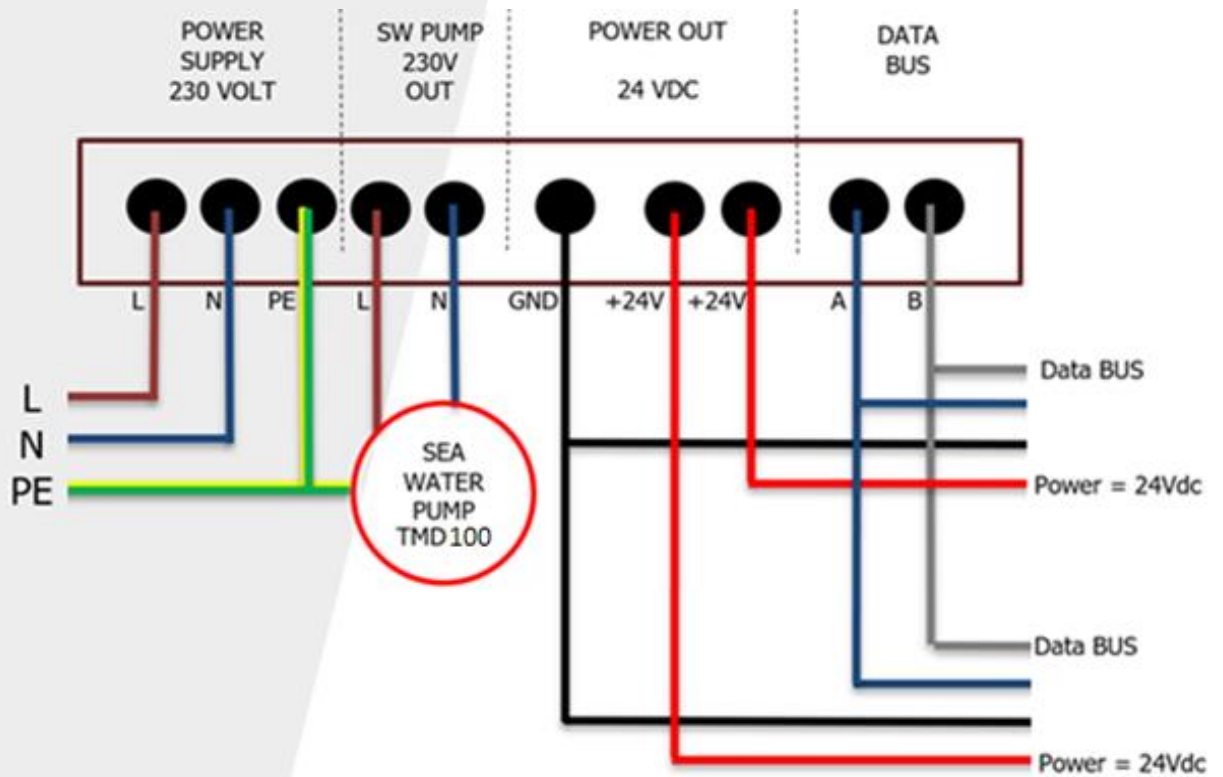
# VRV12E1

PERFORMANCE CURVE  
DC INVERTER 70 rps / 100



# VRV12E1

## ELECTRICAL CONNECTIONS



# VRV12E1

## OVERALL DIMENSIONS

