

VRV16E1

DATASHEET



Cooling & heating - capacity

Cooling capacity KW	min 3,6	std 12	max 16
Cooling power source KW	min 0,8	std 2,0	max 3,2
Heating capacity KW	min 3,6	std 12	max 16
Heating power source KW	min 0,8	std 2,0	max 3,2

Total BTU Capacity:

Comparable to 71.000 BTU/h of the competitors.

Power supply:

180 – 250 V 1Phase 50/60Hz

Sea water pump:

Magnetic type 180 watt included in unit power consumption.
100 lt/min

Size W x D x H:

540 x 483 x 443 mm

Weight:

48 Kg

Sea water working range:

+3°C to +40°C Option polar water: -5°C

Air working range:

-20°C to +50°C

Noise:

Compressor @ 140 hz – 40 db @ 1 meter from box

Vibration:

No significant vibration transmitted to the feet

Sea water pipe connection:

1"

Refrigerant pipe:

5/8" Gas 1/2" Liquid

Compressor box use VRV inverter architecture with refrigerant circulation inside air handler
Databus rs485 modbus on board

24Volt @ 400watt power supply 24VDC integrated in compressor unit for 5 air handlers management. System based on Toshiba VFD and twin rotary compressor



CONDENSER:

Titanium Grade 2. No fouling, no corrosion. 3 times lighter than copper nickel
Titanium is an everlasting material that assure to your system long reliability



COMPRESSOR:

Toshiba inverter twin rotary. COP > 4



FRAME:

Stainless Steel 316



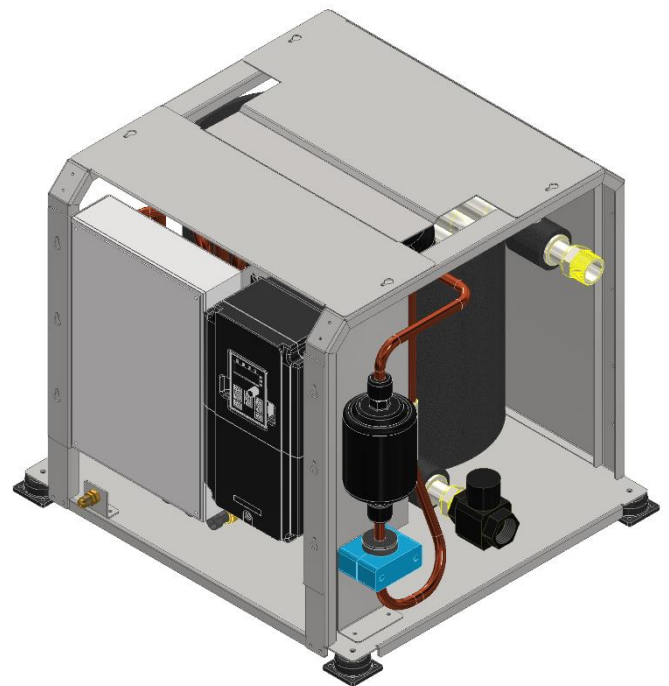
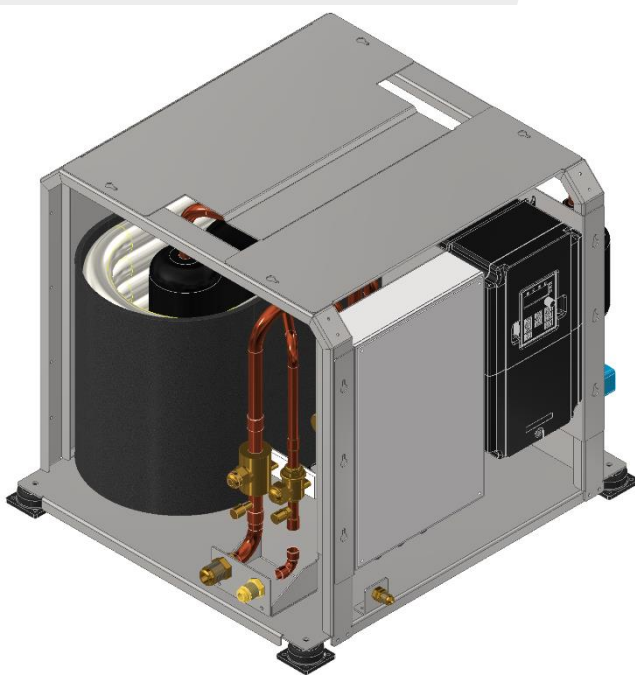
SOFTWARE MANAGEMENT:

Compressor high temperature, low temperature, high pressure condenser, low pressure compressor, electronic pressure gas, electronic pressure liquid, Condensation control, Evaporation control



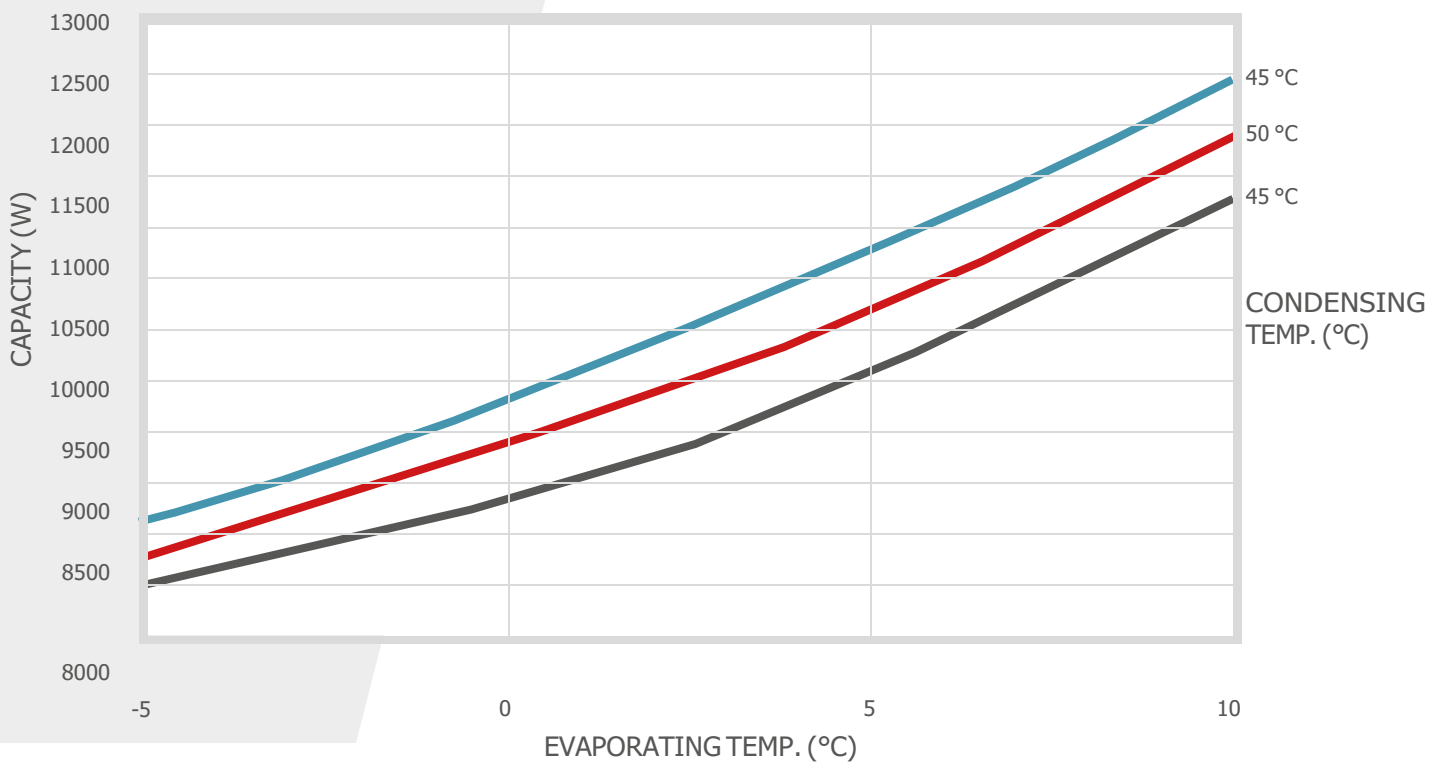
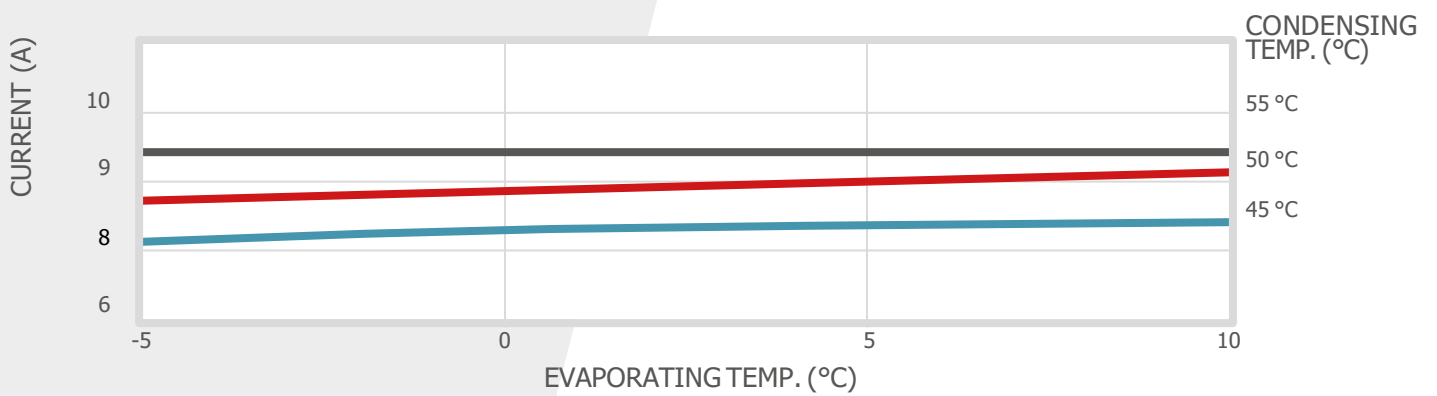
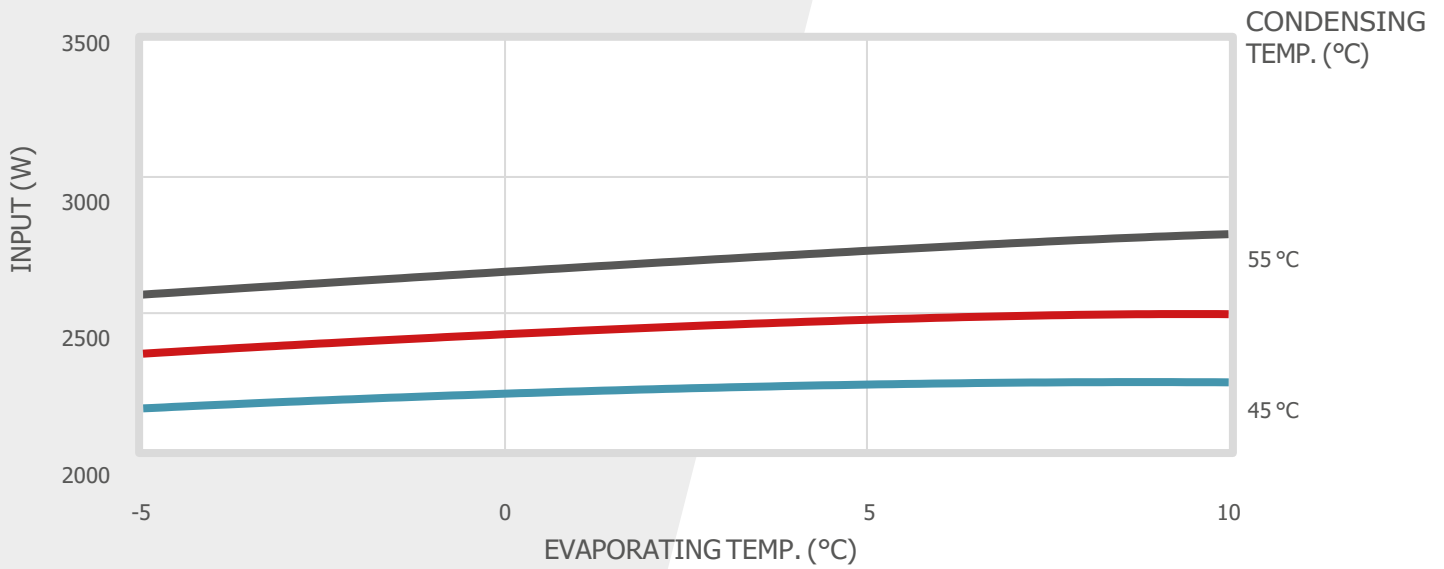
COMPRESSOR PROTECTION:

Over/undervoltage, overcurrent, torque, winding temperature, stepout (bad lubrication), power input, power output, efficiency, overload, oil level (with EEV)



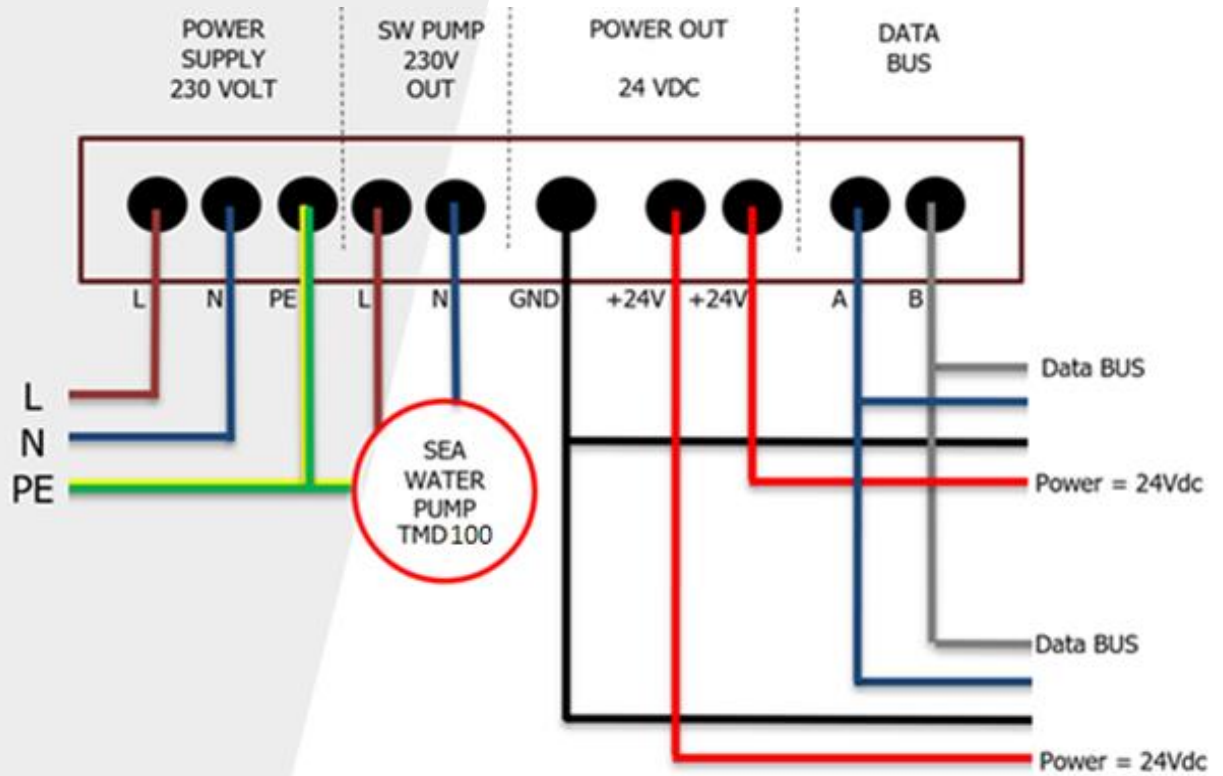
VRV16E1

PERFORMANCE CURVE
DC INVERTER 70 rps / 100



VRV16E1

ELECTRICAL CONNECTIONS



VRV16E1

OVERALL DIMENSIONS

