

VRV18E1

DATASHEET



Cooling & heating - capacity

| | | | |
|-------------------------|---------|---------|---------|
| Cooling capacity KW | min 3,8 | std 14 | max 18 |
| Cooling power source KW | min 0,8 | std 2,3 | max 3,6 |
| Heating capacity KW | min 3,8 | std 14 | max 18 |
| Heating power source KW | min 0,8 | std 2,3 | max 3,6 |

Total BTU Capacity:

Comparable to 80.000 BTU/h of the competitors.

Power supply:

180 – 250 Vac 1Phase 50/60Hz

Sea water pump:

Magnetic type 180 watt included in unit power consumption.
100 lt/min

Size W x D x H:

540 x 483 x 443 mm

Weight:

50 Kg

Sea water working range:

+3°C to +40°C Option polar water: -5°C

Air working range:

-20°C to +50°C

Noise:

Compressor @ 70% –45db @ 1 meter from box

Vibration:

No vibration

Sea water pipe connection:

1"

Refrigerant pipe:

5/8" Gas 1/2" Liquid

Compressor box use VRV inverter architecture with refrigerant circulation inside air handler
Databus rs485 modbus on board

System based on Toshiba VFD and twin rotary compressor



CONDENSER:

Titanium Grade 2. No fouling, no corrosion. 3 times lighter than copper nickel
Titanium is an everlasting material that assure to your system long reliability



COMPRESSOR:

Toshiba inverter twin rotary. COP > 4



FRAME:

Stainless Steel 316



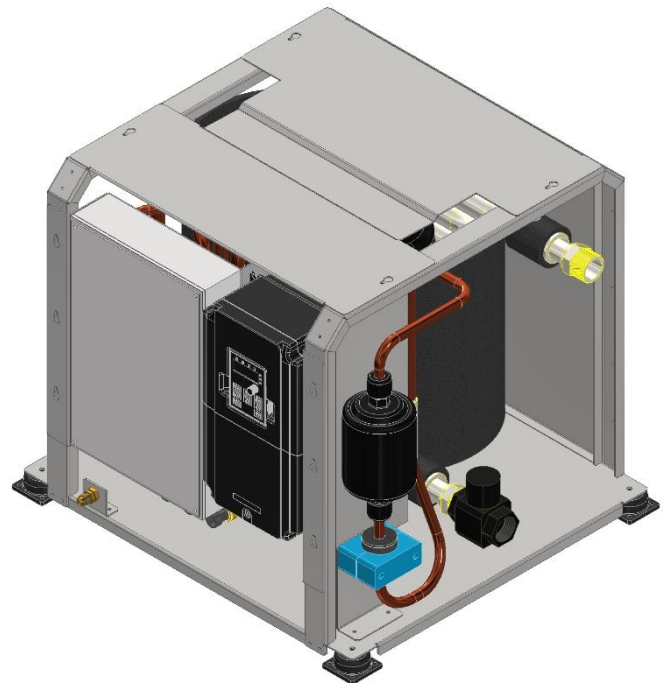
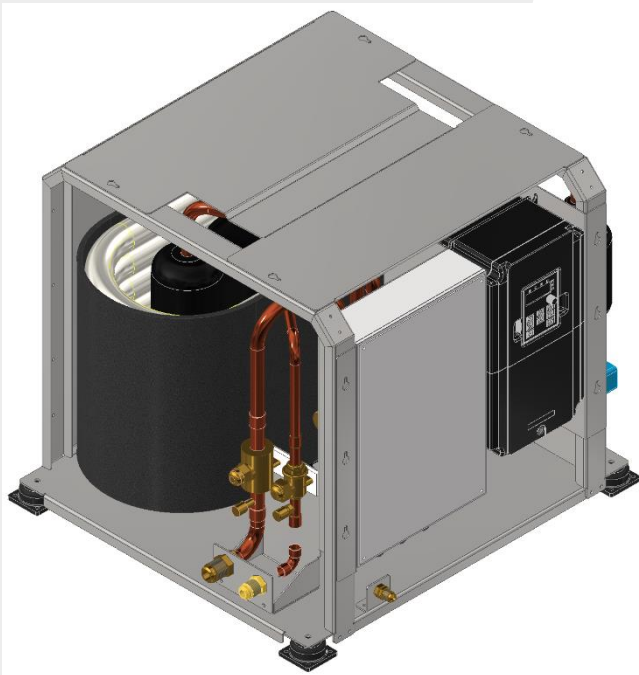
SOFTWARE MANAGEMENT:

Compressor high temperature, low temperature, high pressure condenser, low pressure compressor, electronic pressure gas, electronic pressure liquid, Condensation control, Evaporation control



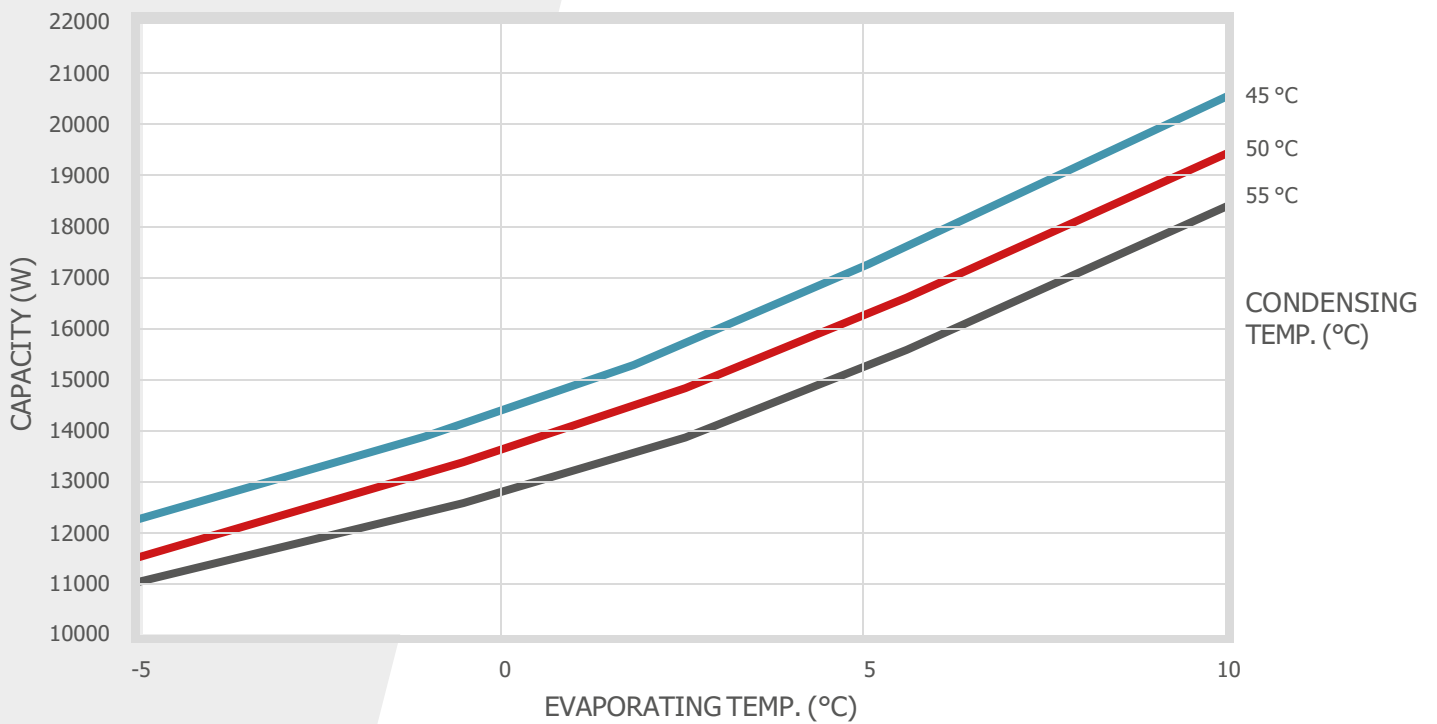
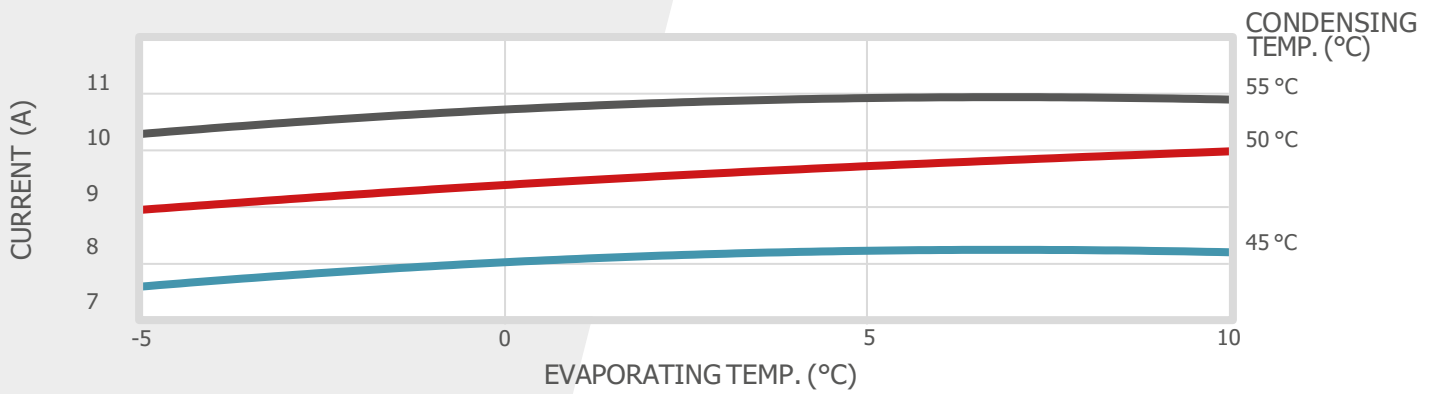
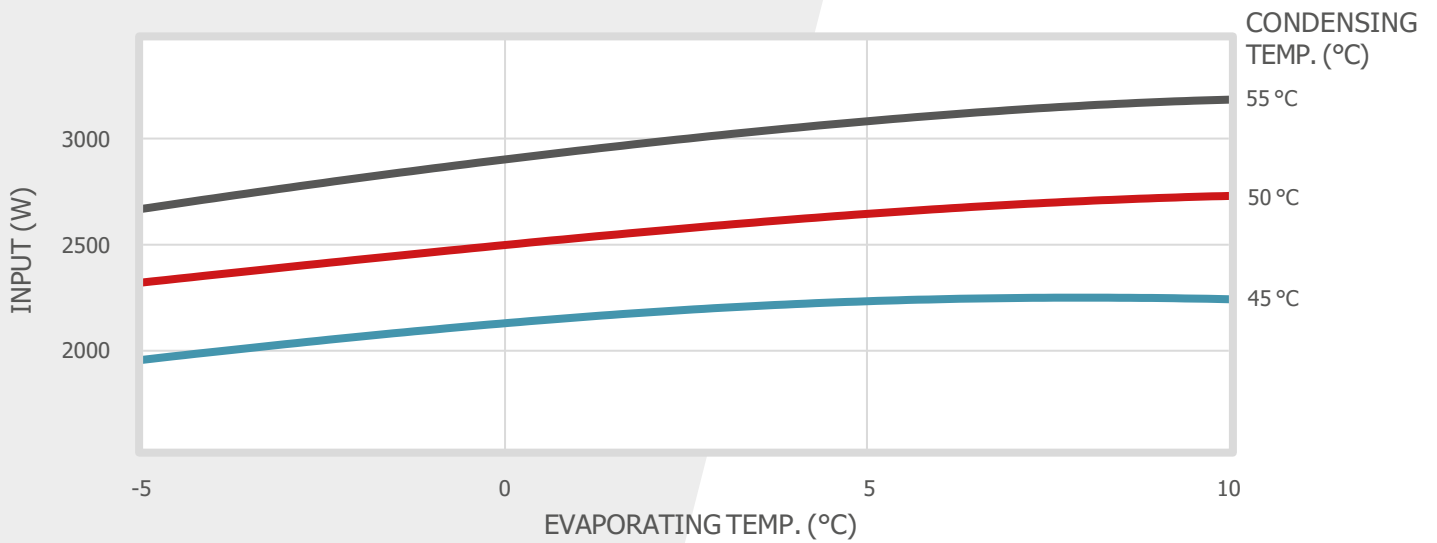
COMPRESSOR PROTECTION:

Over/undervoltage, overcurrent, torque, winding temperature, stepout (bad lubrication), power input, power output, efficiency, overload, oil level (with EEV)



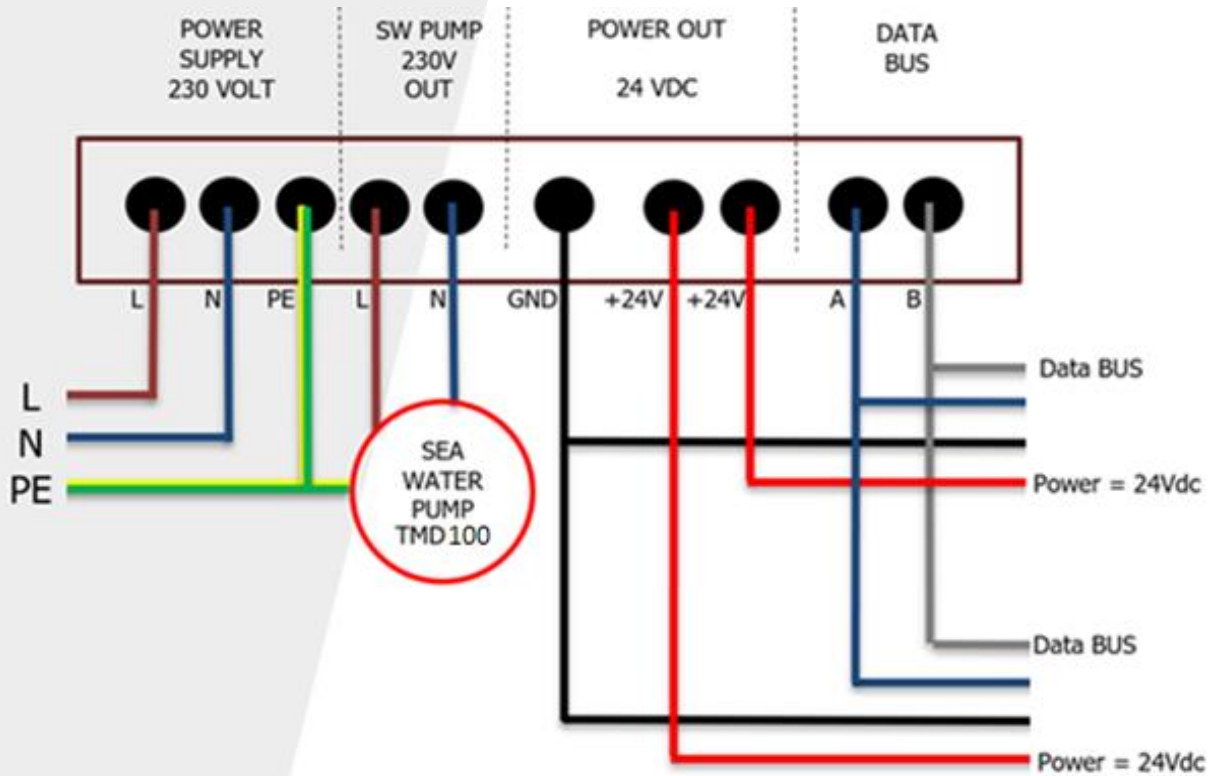
VRV18E1

PERFORMANCE CURVE
DC INVERTER 70 rps / 100



VRV18E1

ELECTRICAL CONNECTIONS



VRV18E1

OVERALL DIMENSIONS

