

VRV22E1

DATASHEET



Cooling capacity KW	min 5,0	std 14	max 22
Cooling power source KW	min 1,0	std 2,3	max 4,5
Heating capacity KW	min 5,0	std 14	max 22
Heating power source KW	min 1,0	std 2,3	max 4,5

Total BTU Capacity:

Power supply:

Sea water pump:

Size W x D x H:

Weight:

Sea water working range:

Air working range:

Noise:

Vibration:

Sea water pipes connection:

Refrigerant pipe:

Comparable to 98.000 BTU/h of the competitors.

180 - 250 V 1Phase / 50-60Hz

400 Vac and 700 Vdc on request.

Magnetic type 270 watt included in unit power consumption.

120 lt/min

675 x 528 x 479 mm

72 Kg (excluding pump)

+3°C to +40°C

Option polar water: -5°C

-20°C to +50°C

Compressor @ 140 hz – 73db @ 1 meter from box

No significant vibration transmitted to the feet

1,5"

3 x 5/8" Gas

3 x 1/2" Liquid

Compressor box use VRV inverter architecture with refrigerant circulation inside air handler
Databus rs485 modbus on board

System based on Toshiba VFD and twin rotary compressor



CONDENSER:

Titanium Grade 2. No fouling, no corrosion. 3 times lighter than copper nickel



COMPRESSOR:

Toshiba inverter twin rotary. COP > 4

Rotation speed: 600 to 6000 rpm



FRAME:

Stainless Steel 316



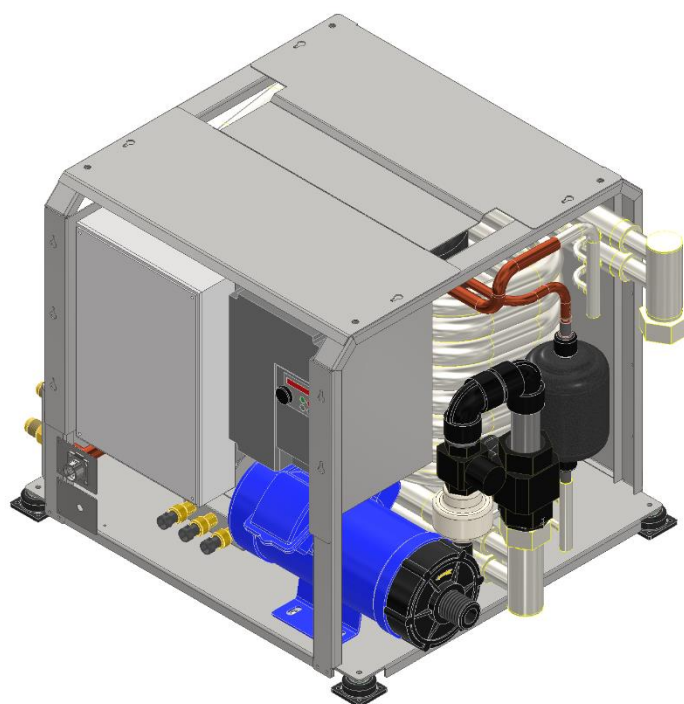
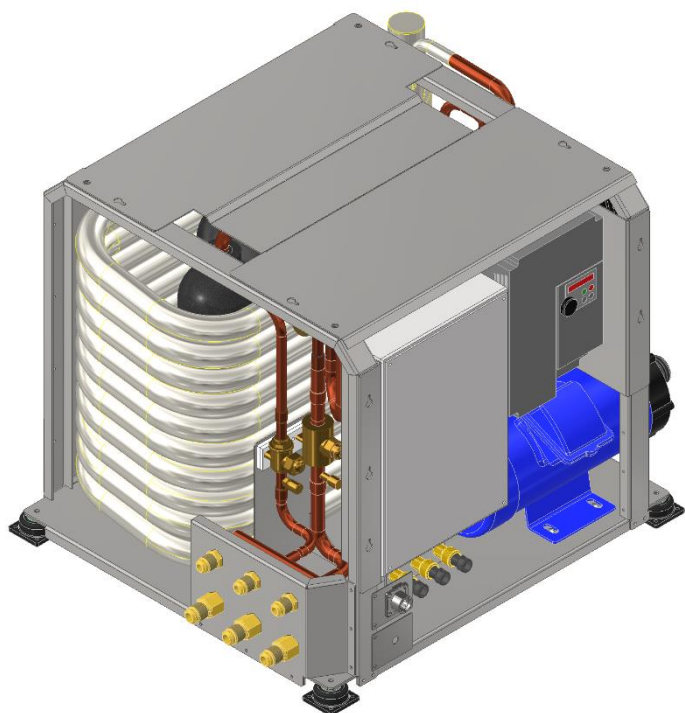
SOFTWARE MANAGEMENT:

Compressor high temperature, low temperature, high pressure condenser, low pressure compressor, electronic pressure gas, electronic pressure liquid, Condensation control, Evaporation control



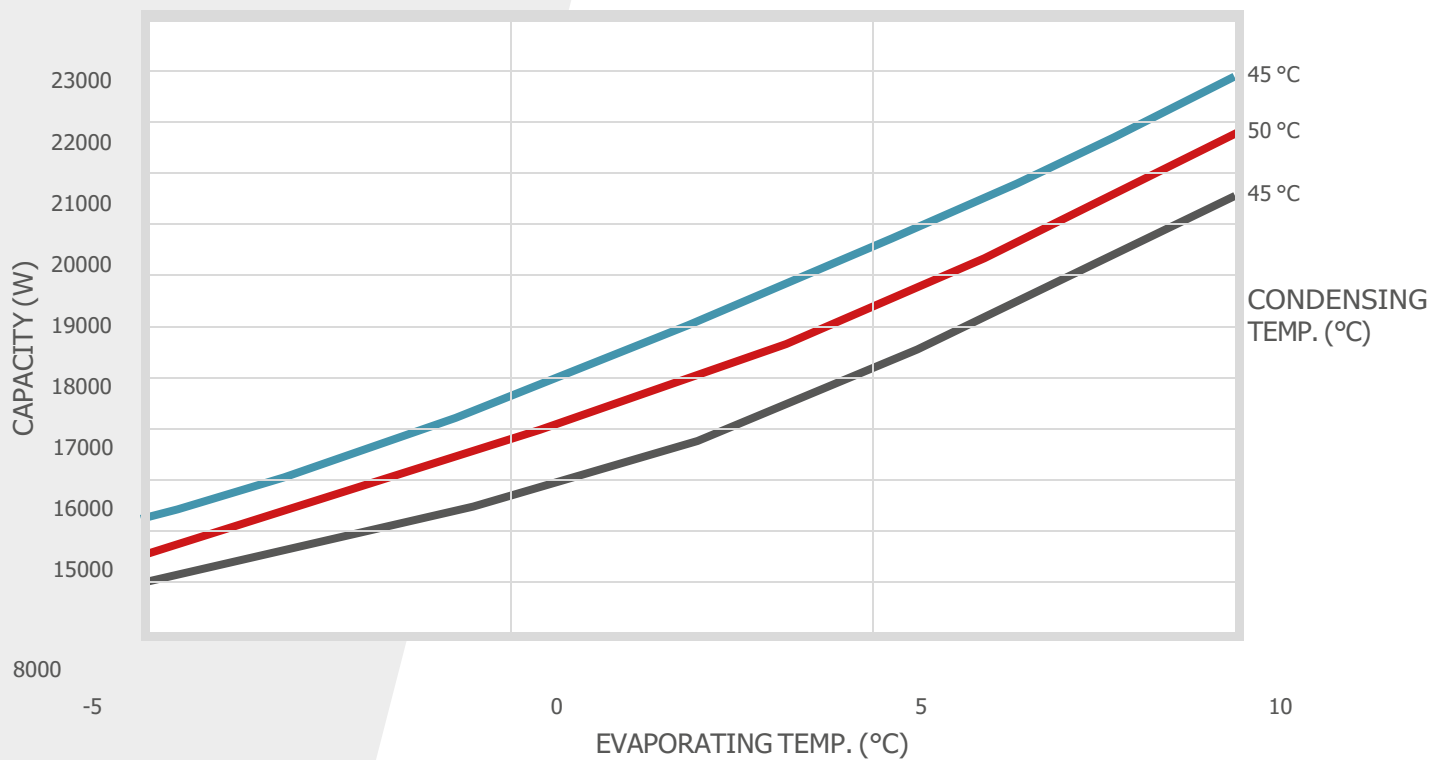
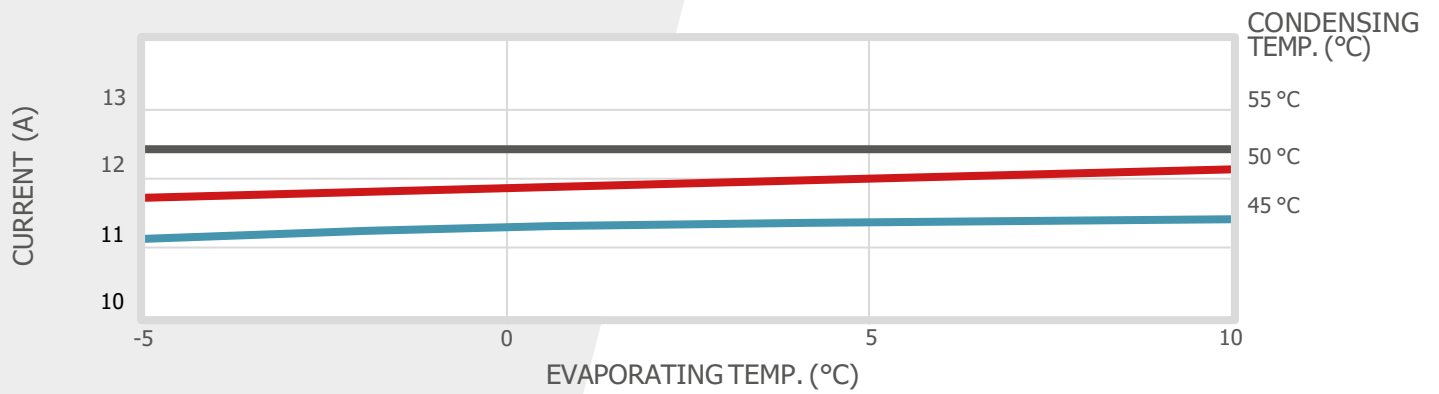
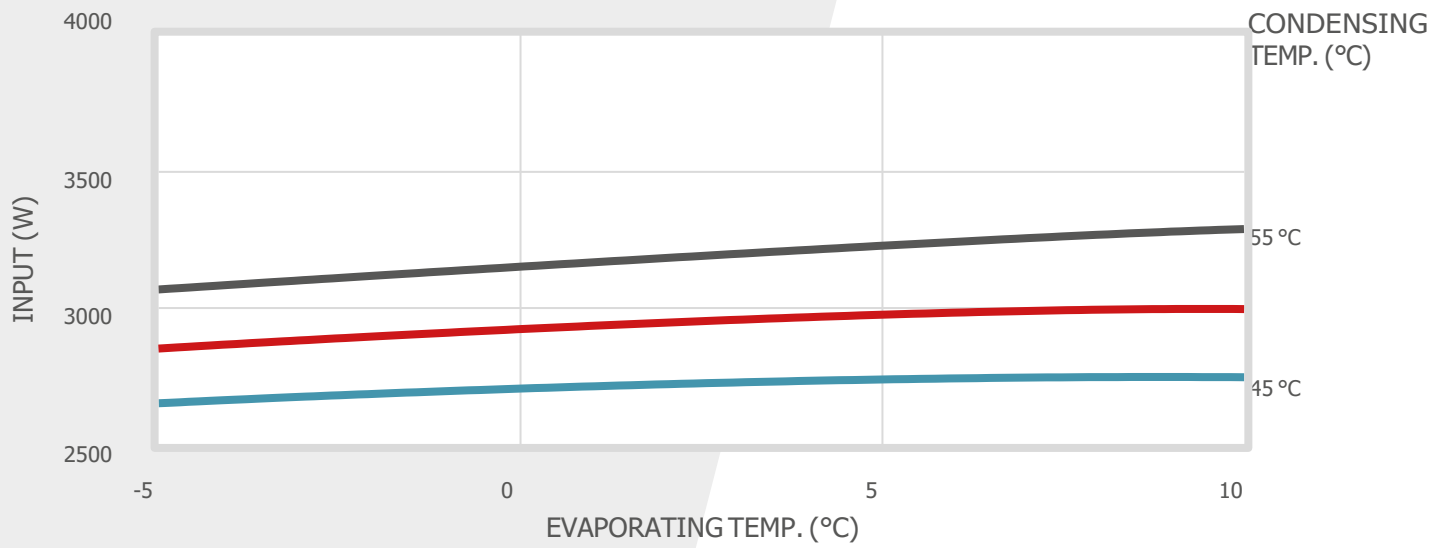
COMPRESSOR PROTECTION:

Over/undervoltage, overcurrent, torque, winding temperature, stepout (bad lubrication), power input, power output, efficiency, overload, oil level (with EEV)



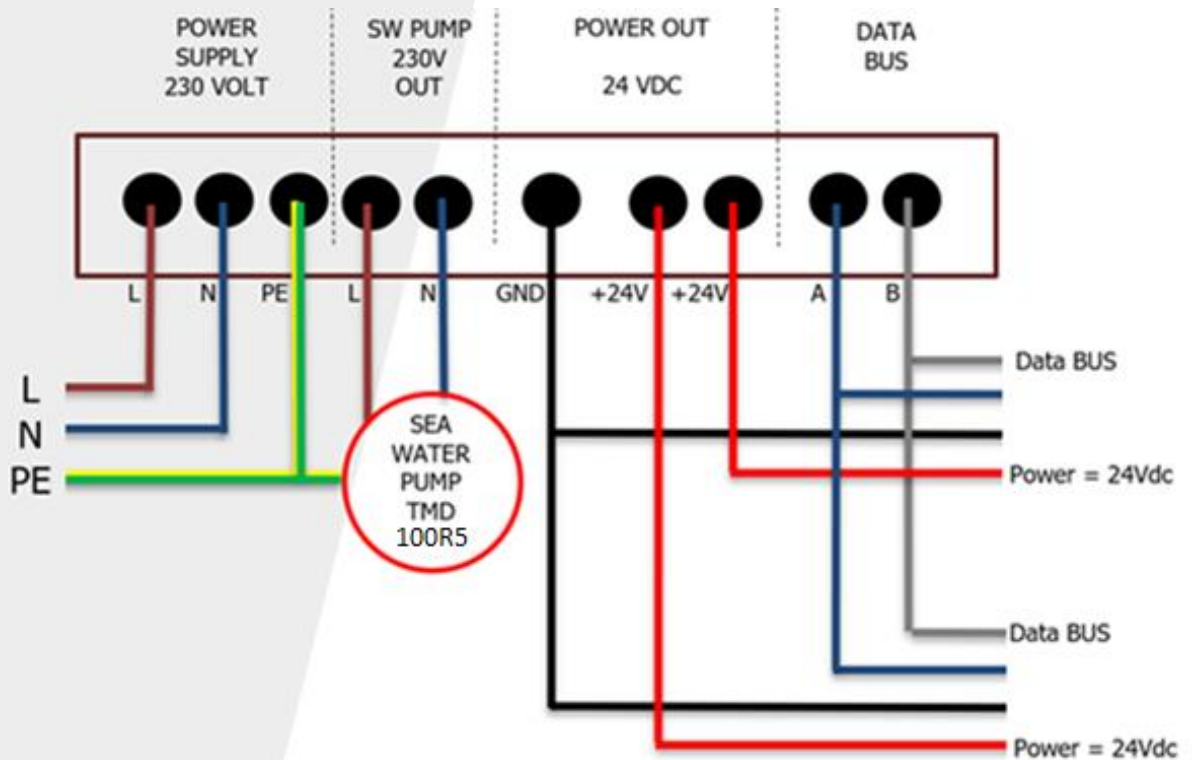
VRV22E1

PERFORMANCE CURVE DC INVERTER 70 rps/100



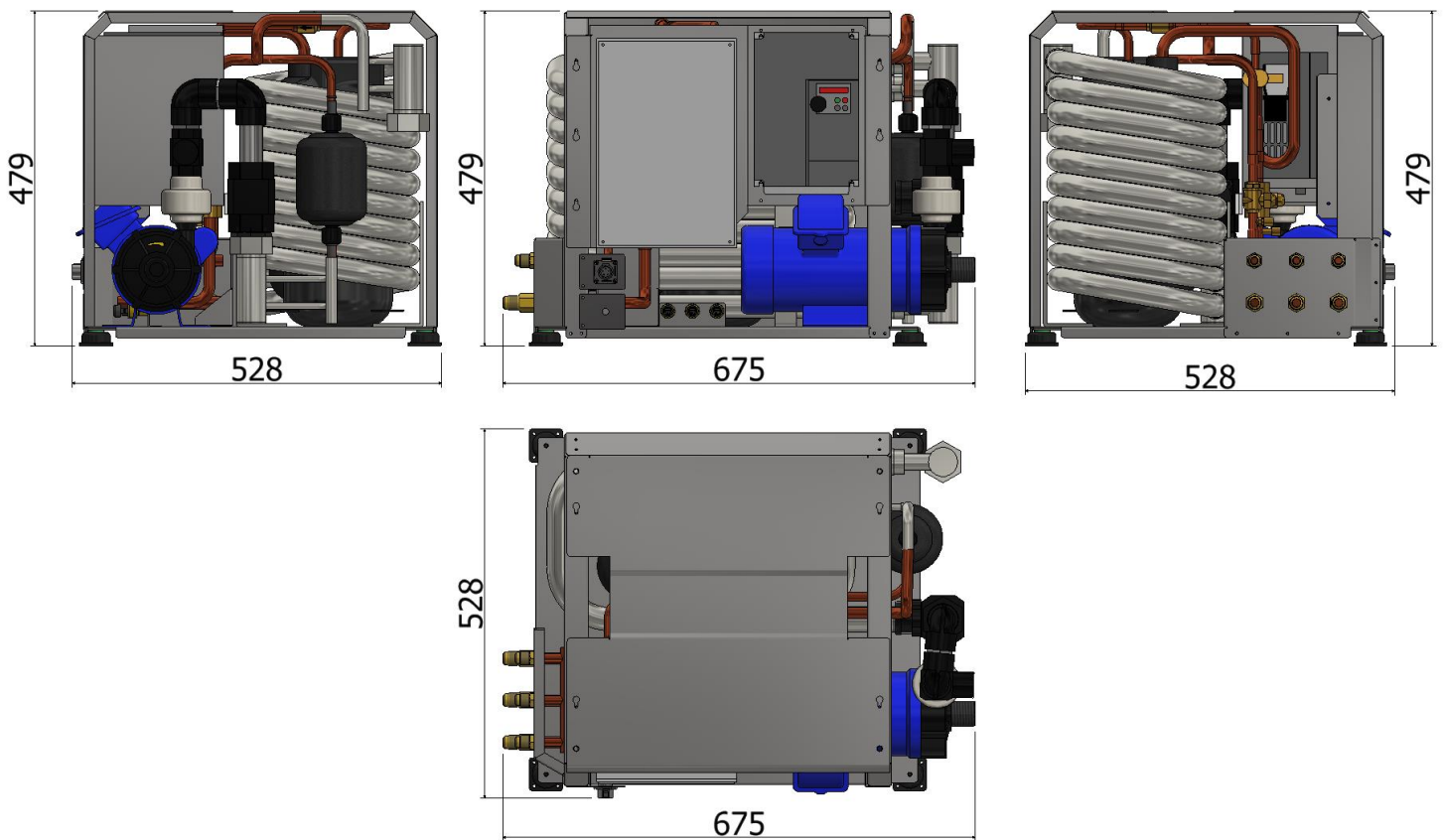
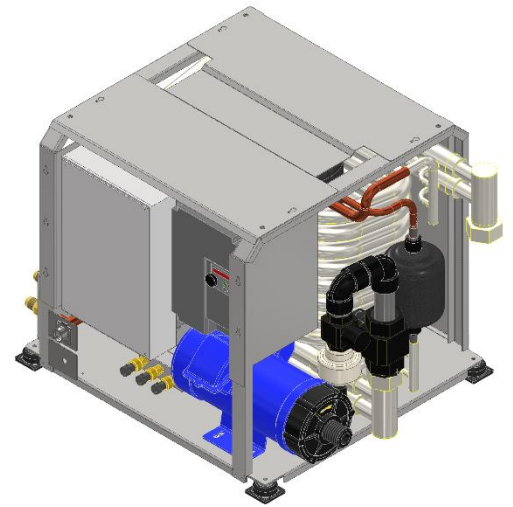
VRV22E1

ELECTRICAL CONNECTIONS



VRV22E1

OVERALL DIMENSIONS



NOTE:

Built in pump: VRV22E1P

External pump: VRV22E1

Power supply 400VAC: VRV22E1-4V

Power supply 700VDC: VRV22E1-7V