

# VRV26E1

## DATASHEET



Cooling capacity KW	min 5	std 18	max 26
Cooling power source KW	min 1,0	std 3,0	max 5,2
Heating capacity KW	min 5	std 18	max 26
Heating power source KW	min 1,0	std 3,0	max 5,2

**Total BTU Capacity:**

**Power supply:**

**Sea water pump:**

**Size W x D x H:**

**Weight:**

**Sea water working range:**

**Air working range:**

**Noise:**

**Vibration:**

**Sea water pipes connection:**

**Refrigerant pipe:**

Comparable to 115.000 BTU/h of the competitors.

180 - 250 V 1Phase / 50-60Hz

400 Vac and 700 Vdc on request.

Magnetic type 270 watt included in unit power consumption.

120 lt/min

675 x 528 x 479 mm

75 Kg (excluding pump)

+3°C to +40°C

Option polar water: -5°C

-20°C to +50°C

Compressor @ 140 hz – 73db @ 1 meter from box

No significant vibration transmitted to the feet

1,5"

3 x 5/8" Gas

3 x 1/2" Liquid

Compressor box use VRV inverter architecture with refrigerant circulation inside air handler  
Databus rs485 modbus on board

System based on Toshiba VFD and twin rotary compressor



### CONDENSER:

Titanium Grade 2. No fouling, no corrosion. 3 times lighter than copper nickel



### COMPRESSOR:

Toshiba inverter twin rotary. COP > 4

Rotation speed: 600 to 6000 rpm



### FRAME:

Stainless Steel 316



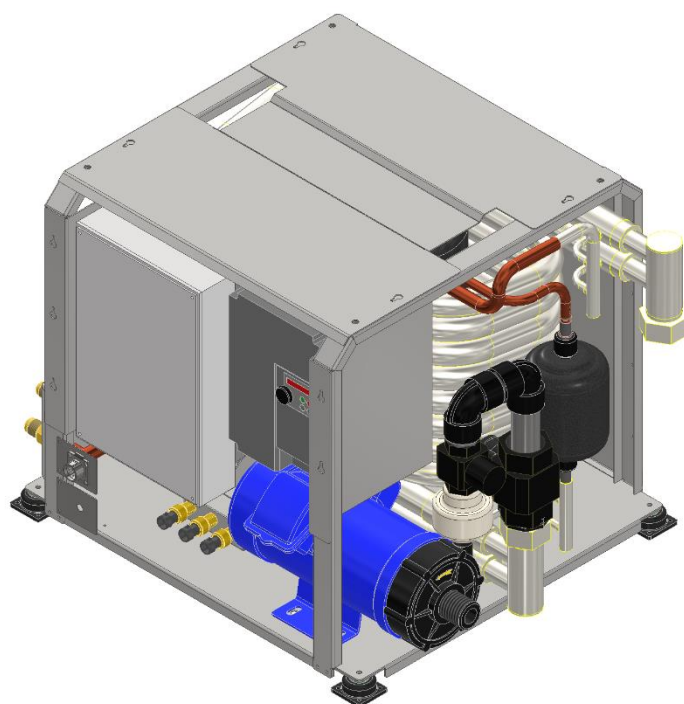
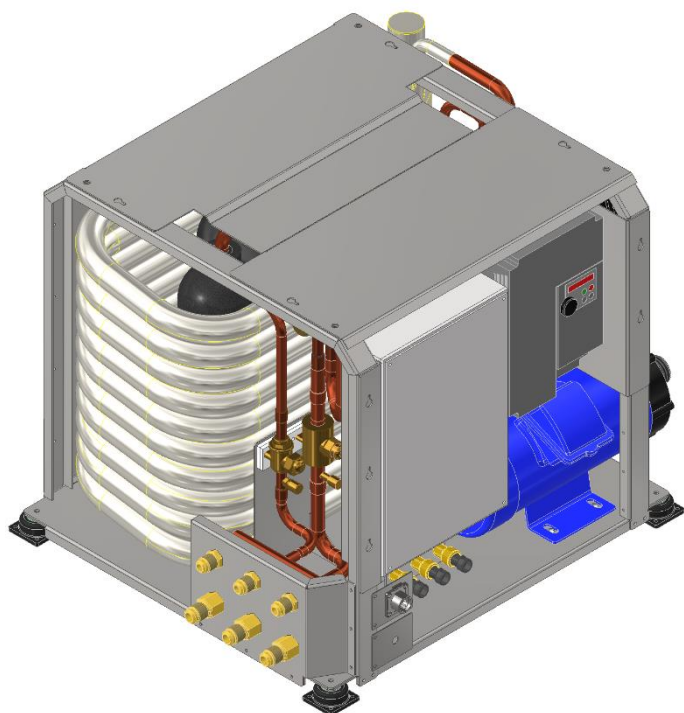
### SOFTWARE MANAGEMENT:

Compressor high temperature, low temperature, high pressure condenser, low pressure compressor, electronic pressure gas, electronic pressure liquid, Condensation control, Evaporation control



### COMPRESSOR PROTECTION:

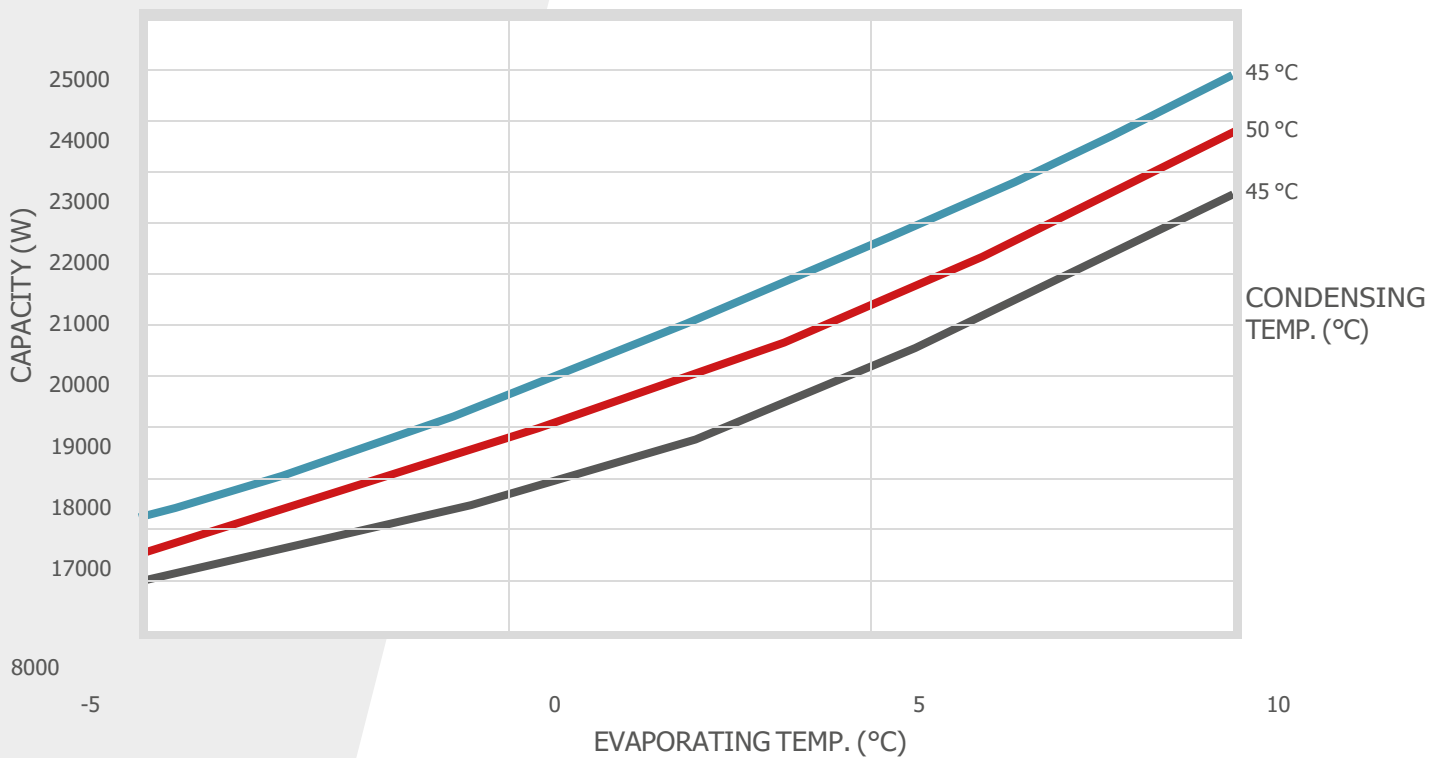
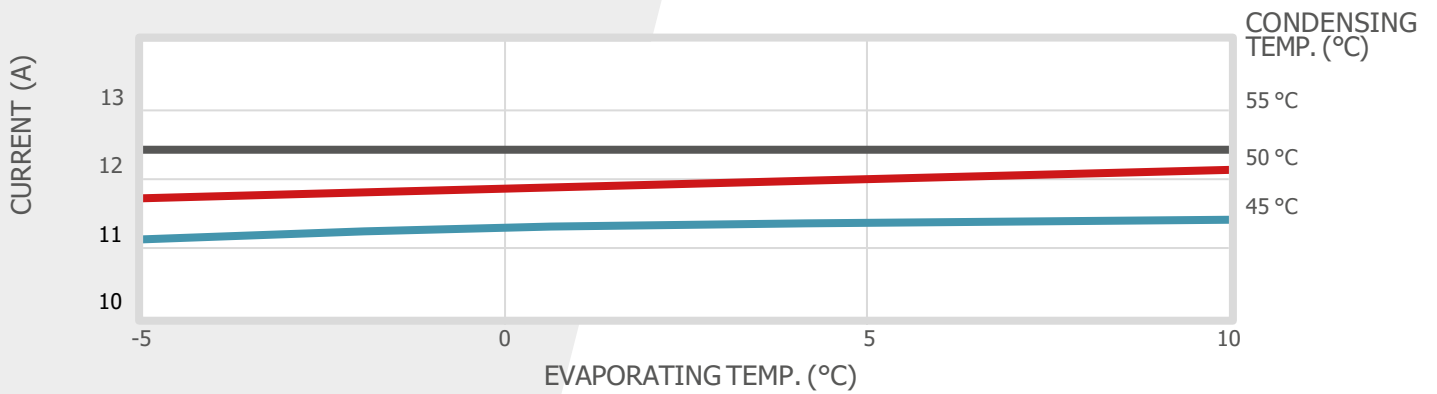
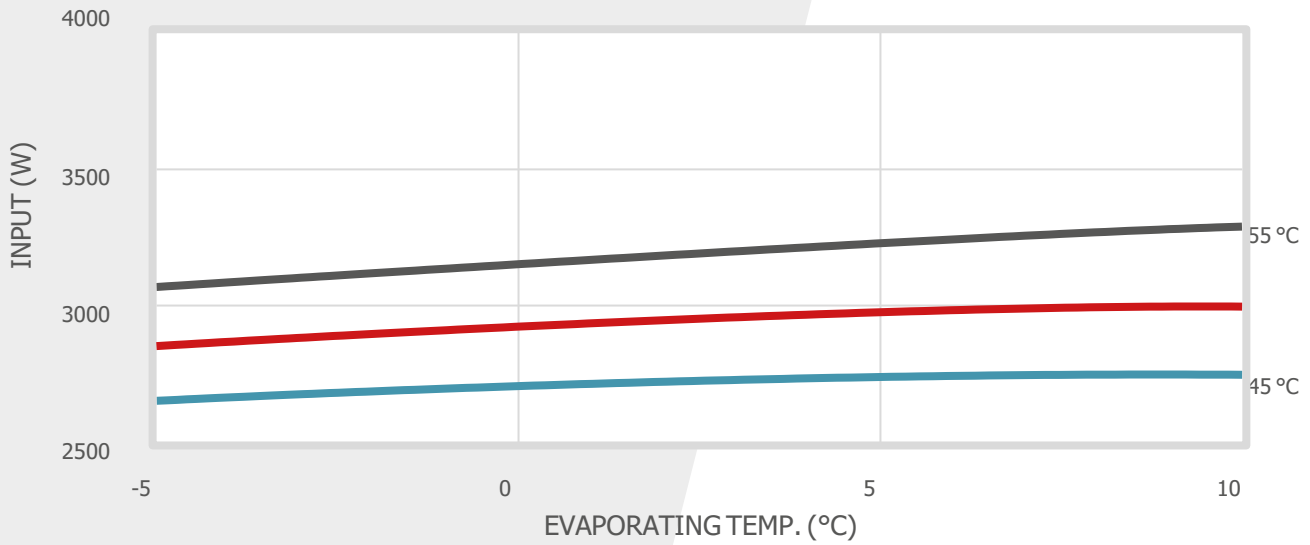
Over/undervoltage, overcurrent, torque, winding temperature, stepout (bad lubrication), power input, power output, efficiency, overload, oil level (with EEV)



# VRV26E1

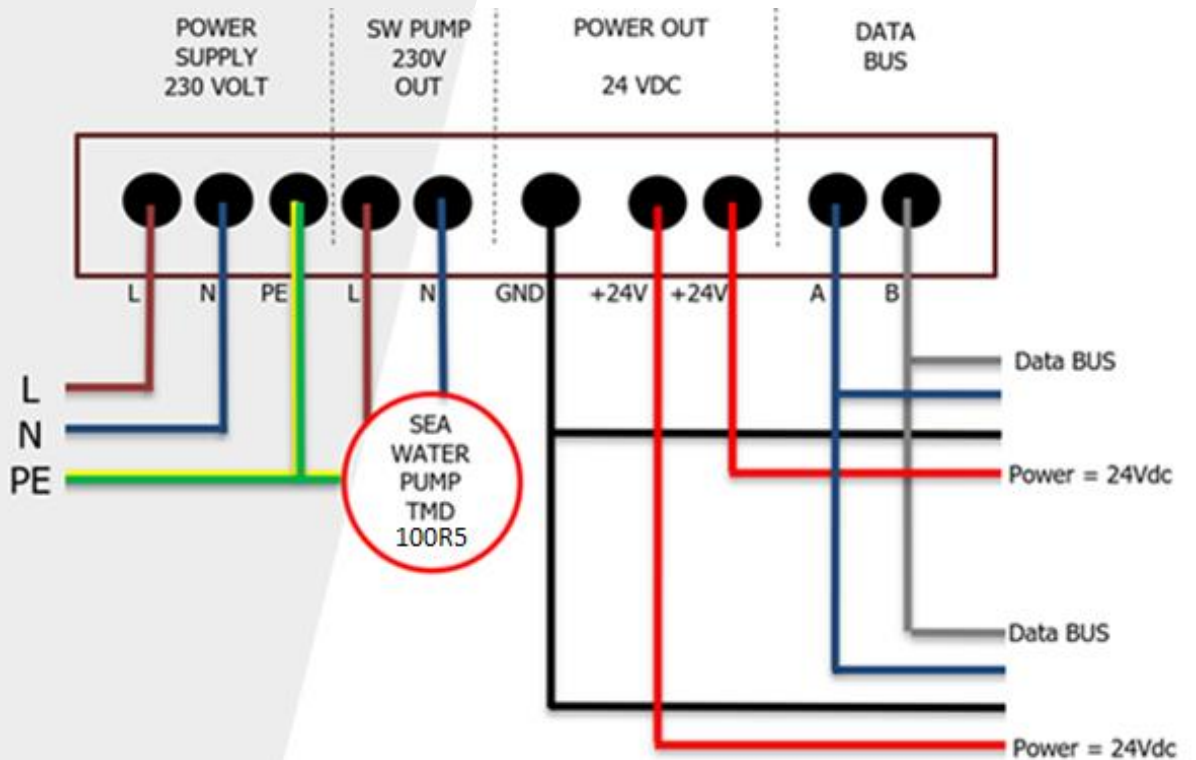
## PERFORMANCE CURVE DC INVERTER 70 rps/100

CONDENSING  
TEMP. (°C)



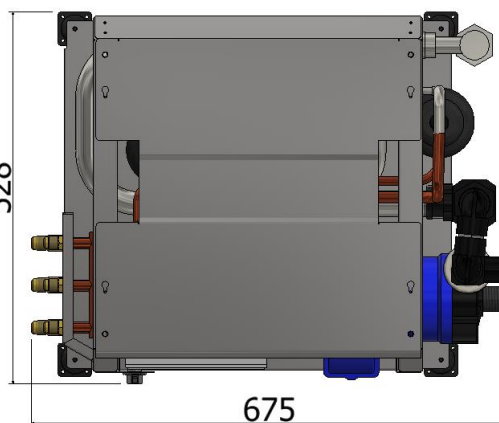
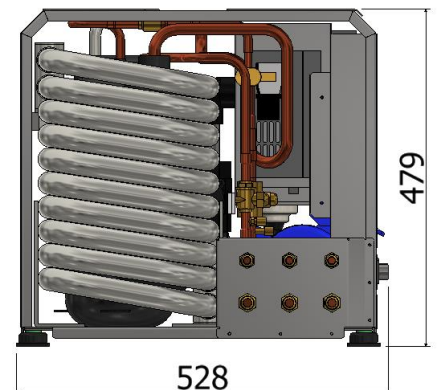
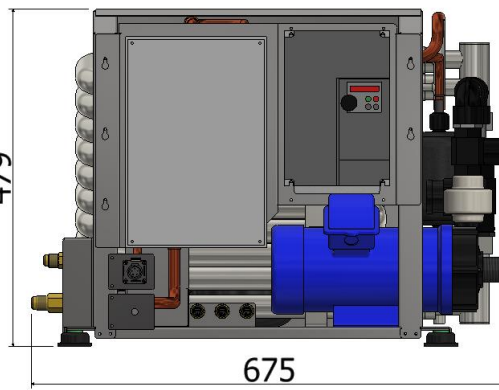
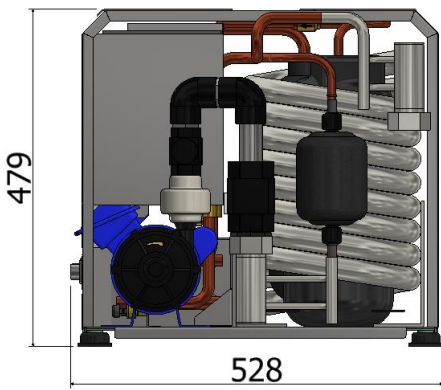
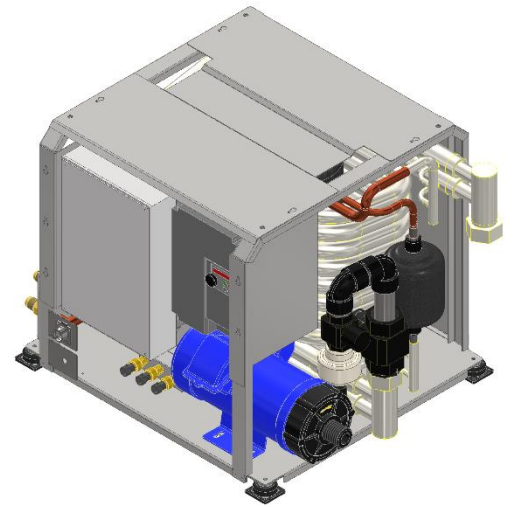
# VRV26E1

## ELECTRICAL CONNECTIONS



# VRV26E1

## OVERALL DIMENSIONS



### NOTE:

Built in pump: VRV26E1P

External pump: VRV26E1

Power supply 400VAC: VRV26E1-4V

Power supply 700VDC: VRV26E1-7V