

VRV8E1

DATASHEET



Cooling capacity KW	min 1,4	std 5	max 8
Cooling power source KW	min 0,4	std 0,8	max 1,5
Heating capacity KW	min 1,4	std 5	max 8
Heating power source KW	min 0,4	std 0,8	max 1,5

Cooling / Heating capacity:

Power supply:

Sea water pump:

Size W x D x H:

Weight:

Sea water working range:

Air working range:

Noise:

Vibration:

Sea water pipes connection:

Refrigerant pipe:

Comparable to 35.000 BTU/h of the competitors.

180 - 250 V 1Phase / 50-60Hz

Magnetic type 180 watt included in unit power consumption.

100 lt/min

473 x 219 x 372 mm

22 Kg

+3°C to +40°C

Option polar water: -5°C

-20°C to +50°C

Compressor @ 140 hz – 65db @ 1 meter from box

No significant vibration transmitted to the feet

1" BSP

1/2" Gas

3/8" Liquid

Compressor box use VRV inverter architecture with refrigerant circulation inside air handler
Databus rs485 modbus on board

24Volt @ 100watt power supply integrated in compressor unit for 4 air handlers management
System based on Toshiba VFD and twin rotary compressor



CONDENSER:

Titanium Grade 2. No fouling, no corrosion. 3 times lighter than copper nickel
Titanium is an everlasting material that assure to your system long reliability



COMPRESSOR:

Toshiba inverter twin rotary. COP > 4



FRAME:

Stainless Steel 316



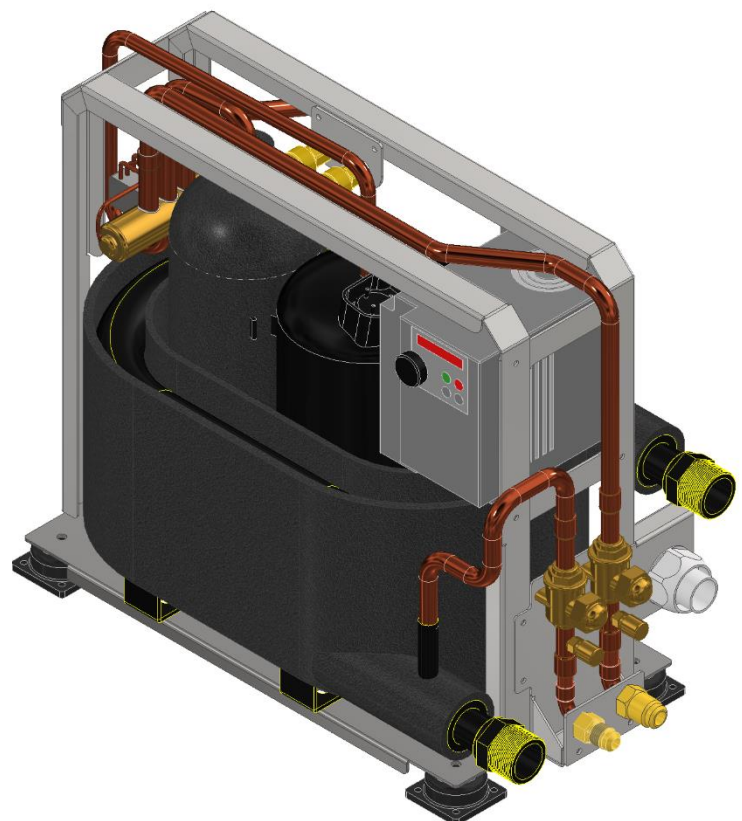
SOFTWARE MANAGEMENT:

Compressor high temperature, low temperature, high pressure
condenser, low pressure compressor, electronic pressure gas, electronic
pressure liquid, Condensation control, Evaporation control



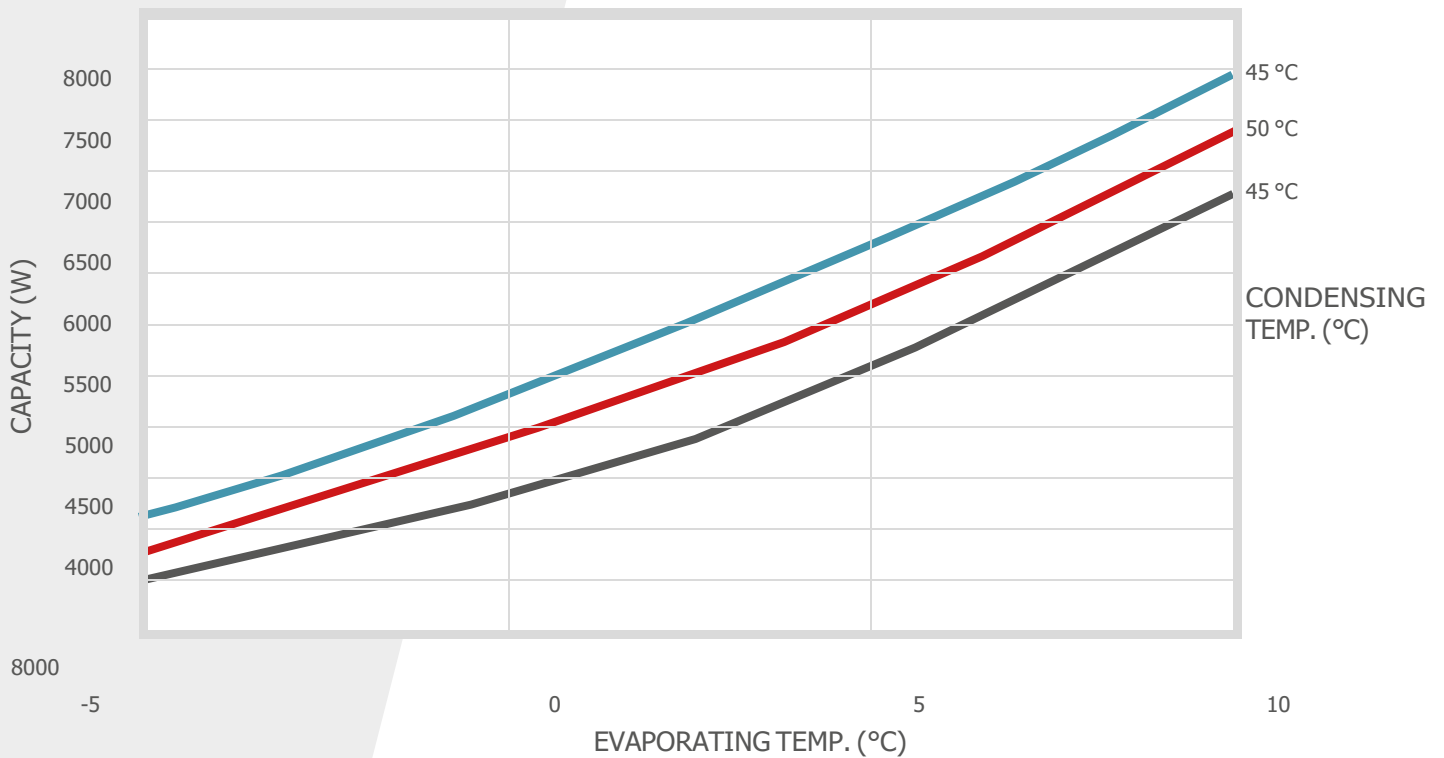
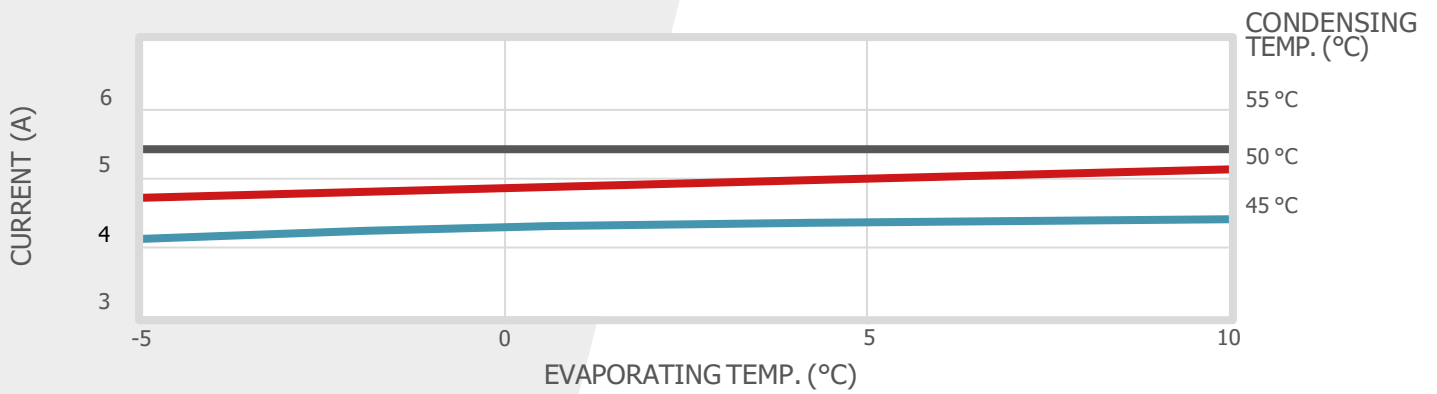
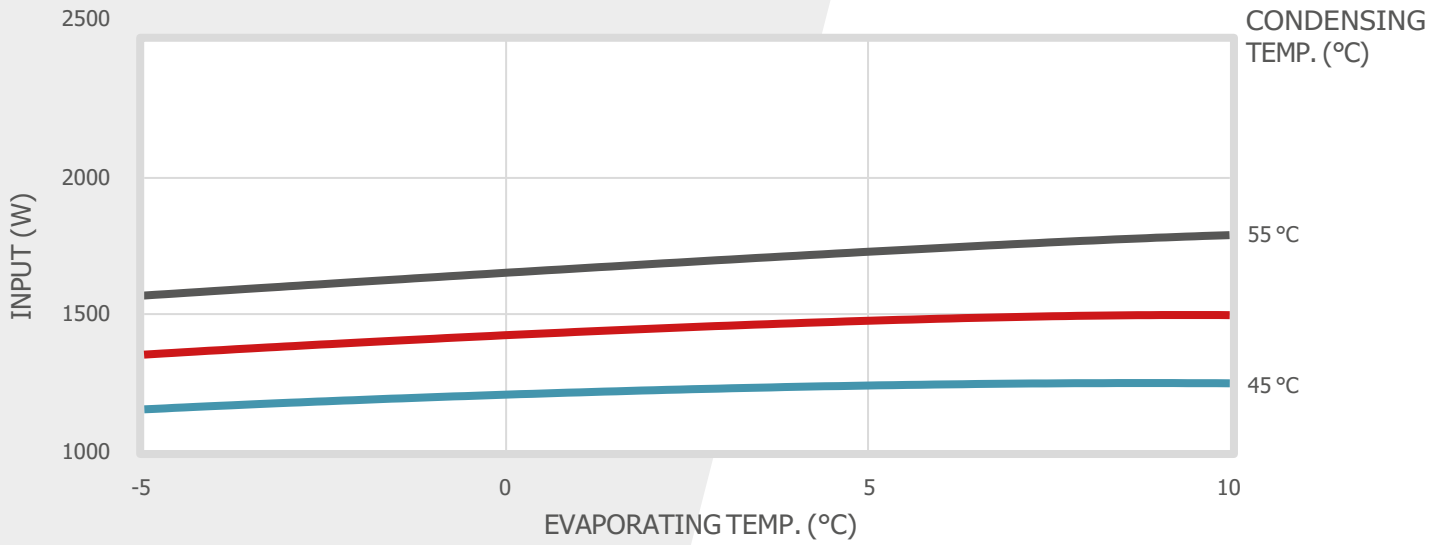
COMPRESSOR PROTECTION:

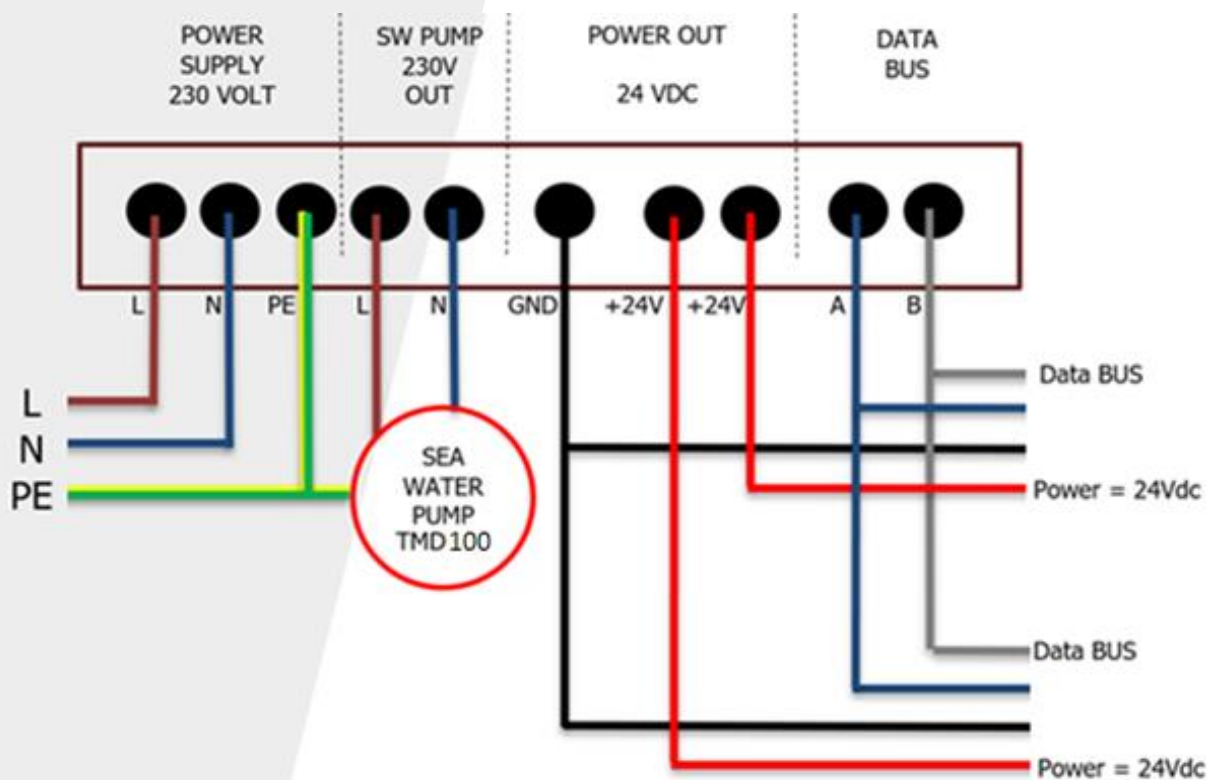
Over/undervoltage, overcurrent, torque, winding temperature, stepout (bad
lubrication), power input, power output, efficiency, overload, oil level (with EEV)



VRV8E1

PERFORMANCE CURVE DC INVERTER 70 rps/ 100





VRV8E1

OVERALL DIMENSIONS

