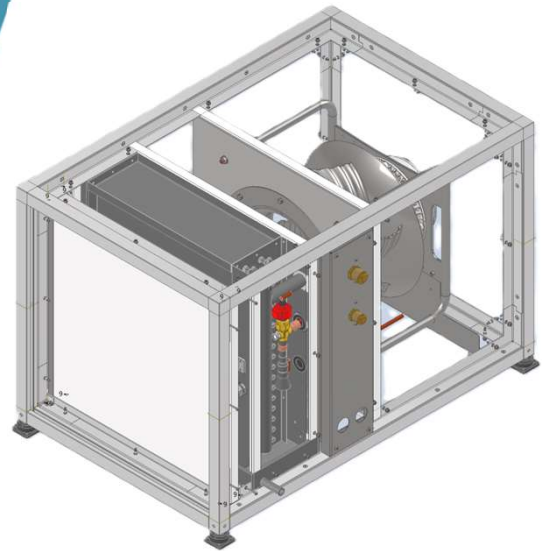


# AHU1500T

## DATASHEET



### Capacity

Maximum air flow	1500	m <sup>3</sup> /h
Maximum cooling capacity	16	kW
Maximum heating capacity	16	kW

<b>Maximum capacity</b>	55.000 Btu/h
<b>Static pressure:</b>	850 Pa
<b>Power supply:</b>	230 Vac 50/60 Hz
<b>Power consumption:</b>	780 W (fan max. consumption)
<b>Size W x D x H:</b>	717 x 507 x 430 mm
<b>Weight:</b>	35 kg
<b>Frame:</b>	Stainless steel AISI316; Aluminum silver anodized
<b>Air working range:</b>	-20°C to +50°C
<b>Air duct size:</b>	Custom made
<b>Refrigerant fittings:</b>	5/8"Gas 1/2"Liquid

### On request

<b>Built-in Electric heater:</b>	1600 W (Product ID: AHU1500T_HR16)
<b>Built-in Electric heater and LD:</b>	1600 W (Product ID: AHU1500T_HR16 LD)

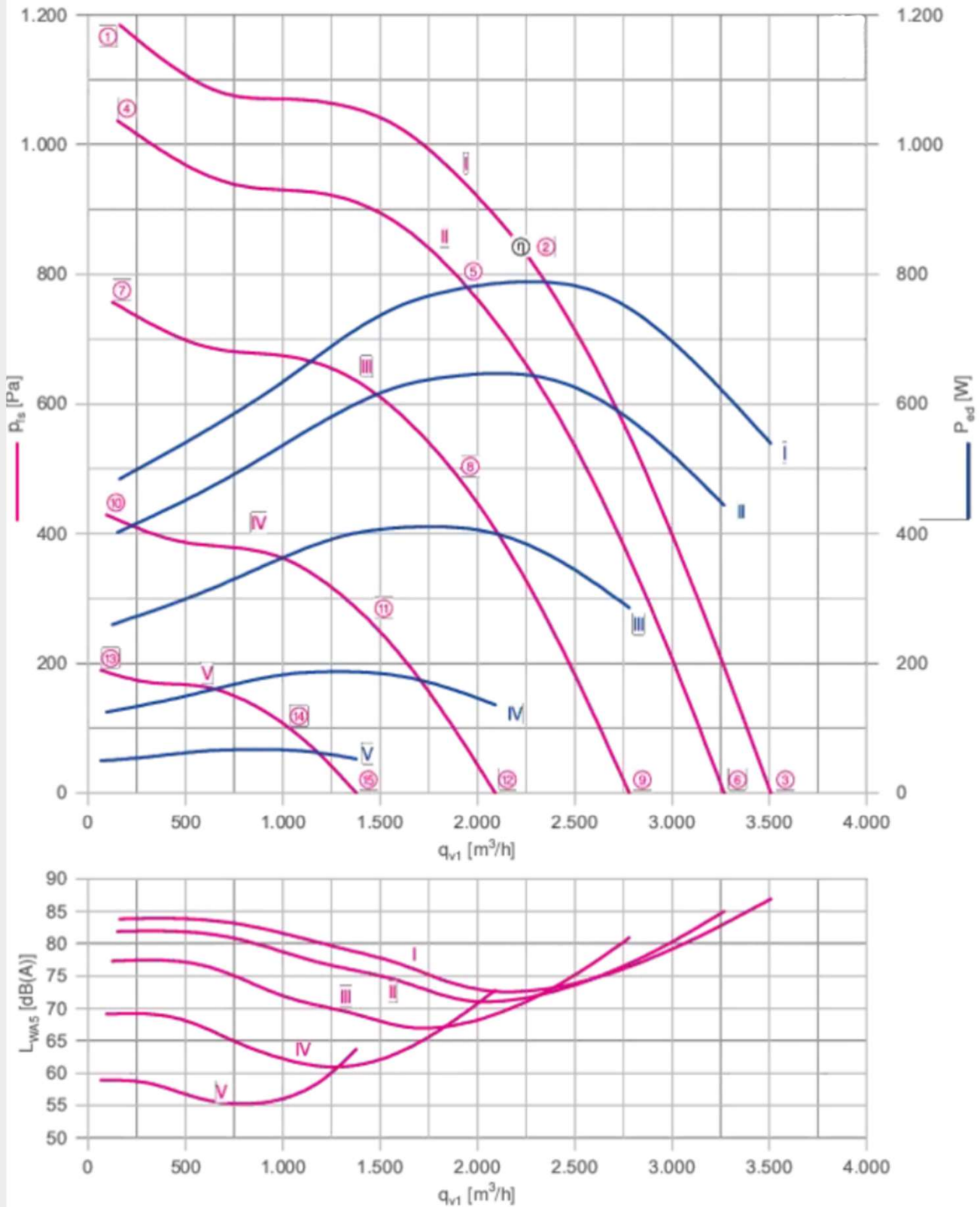
# AHU1500T

## Fan performance



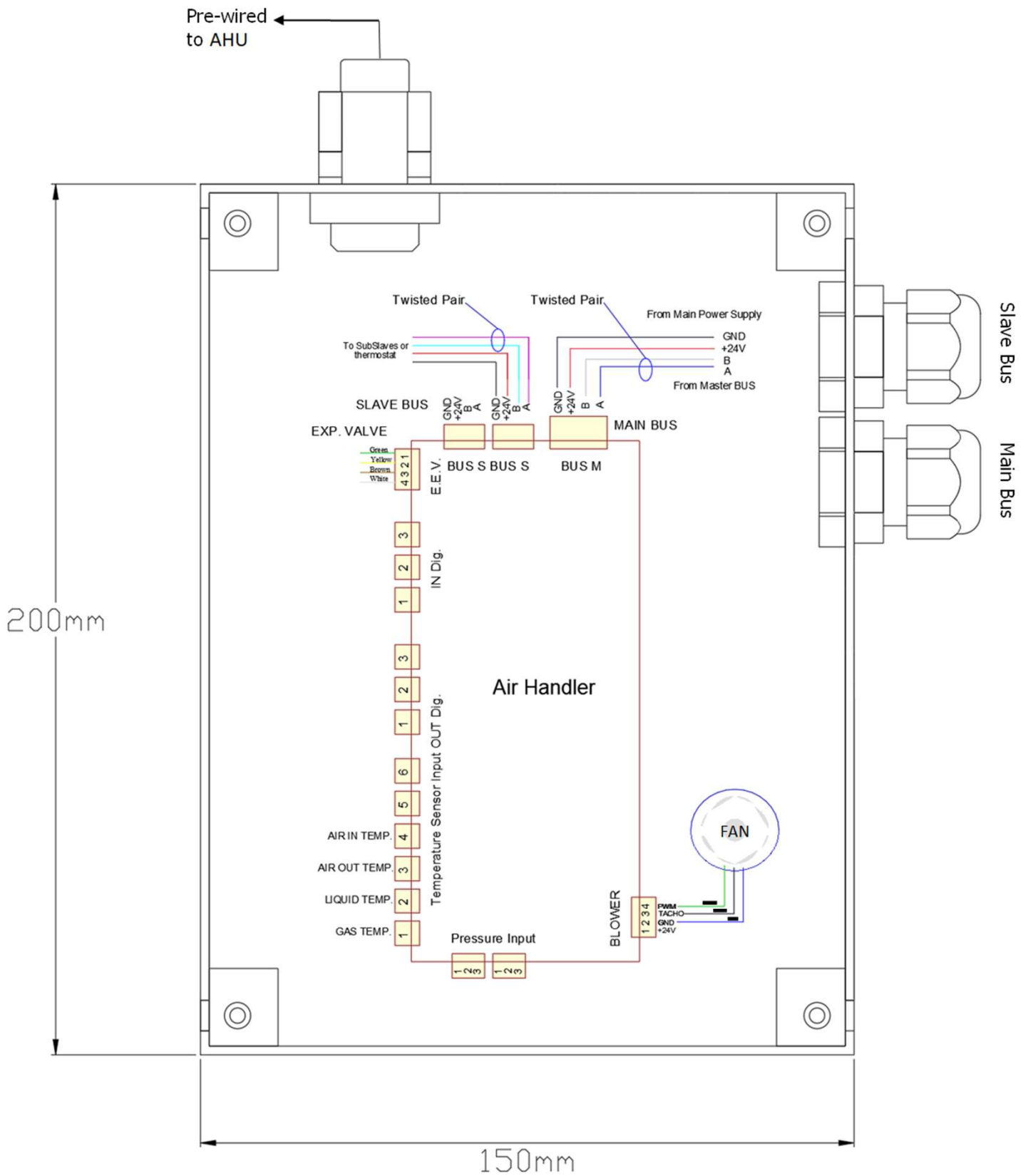
### Characteristics

Maximum power consumption: 780 W



# AHU1500T

## Electrical connection



# AHU1500T

Overall dimension

