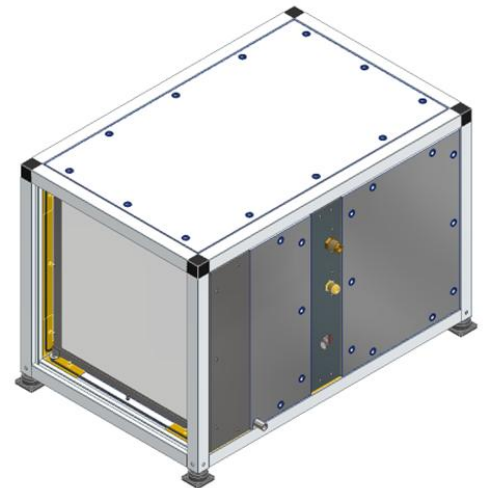


AHU2000T

DATASHEET



Capacity

Maximum air flow	2000	m ³ /h
Maximum cooling capacity	22	kW
Maximum heating capacity	22	kW

Maximum capacity	75.000 Btu/h
Static pressure:	800 Pa
Power supply:	230 Vac 50/60 Hz
Power consumption:	780 W (fan max. consumption)
Size W x D x H:	757 x 517 x 513 mm
Weight:	40 kg
Frame:	Aluminum silver anodized 30 µm, Stainless steel 316
Air working range:	-20°C to +50°C
Air duct size:	Custom made
Refrigerant fittings:	5/8"Gas 1/2"Liquid

On request

Built-in Electric heater:	2400 W (Product ID: AHU2000T-HR24)
----------------------------------	------------------------------------

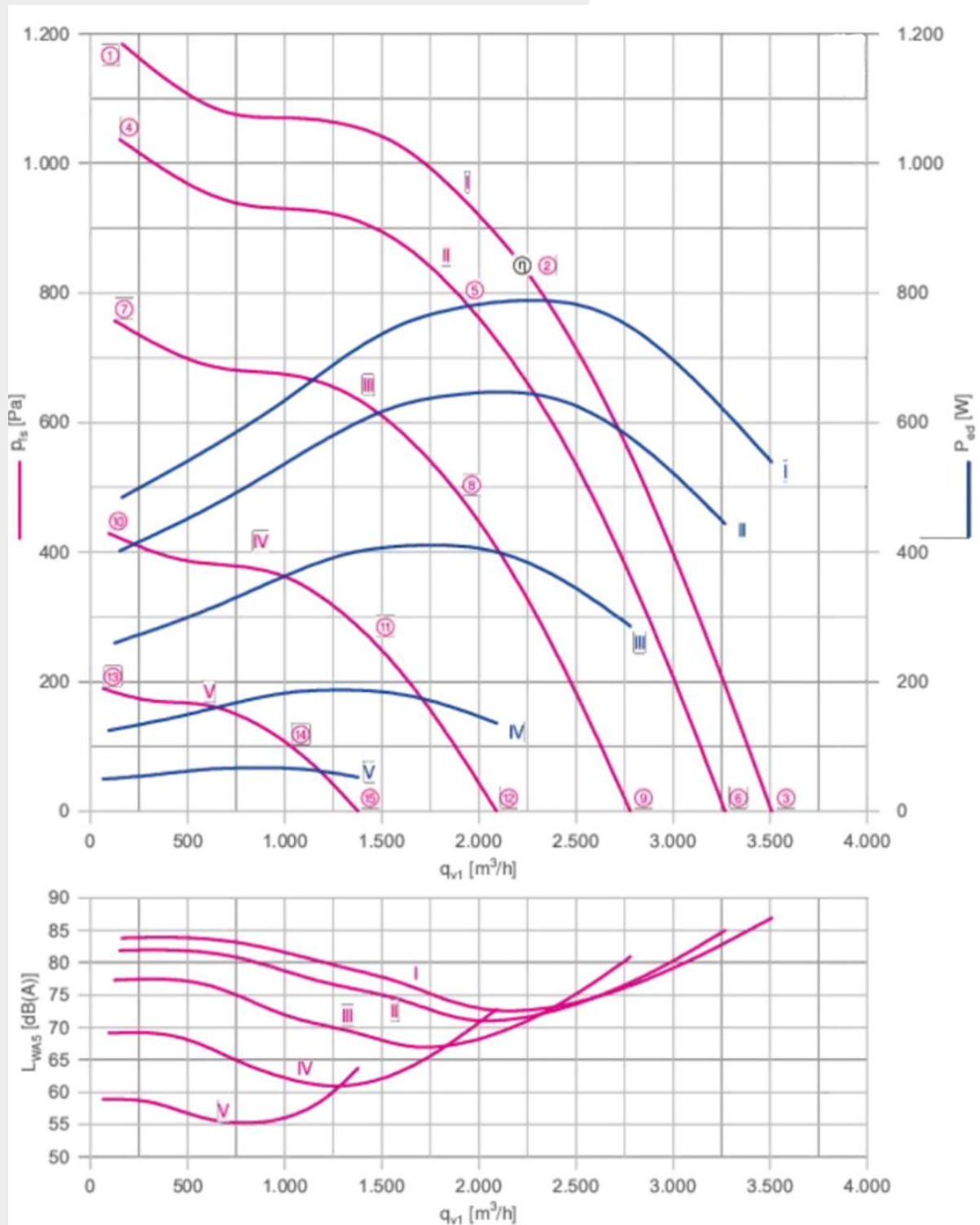
AHU2000T

Fan performance



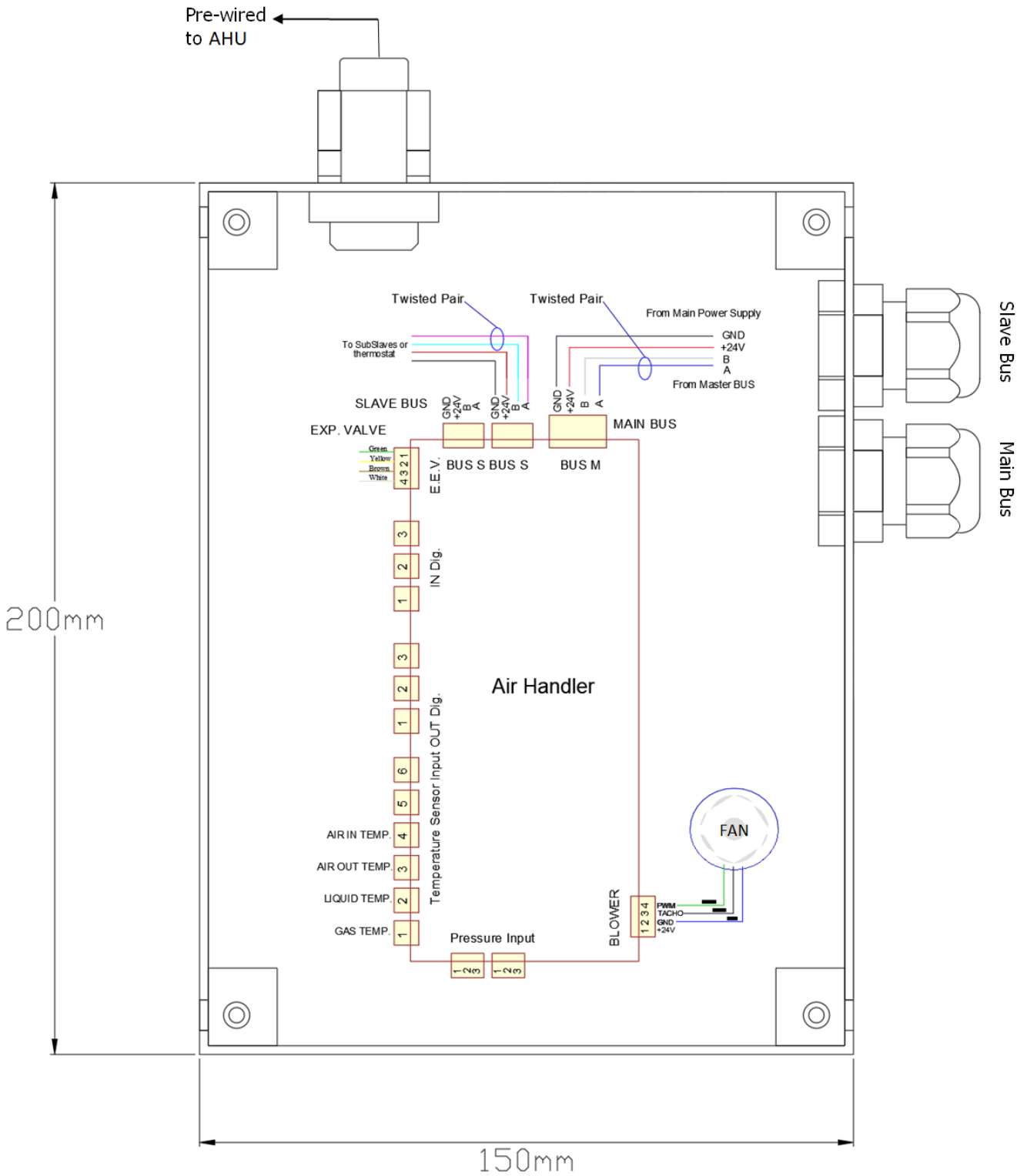
Characteristics

Maximum power consumption: 780 W



AHU2000T

Electrical connection



AHU2000T

Overall dimension

